

## Decorative Feet for Wall Mounted Installation – for VS Models

iVector S2 | 2022-04-01

US/CND



**MYSON**

## 1. Warnings

**⚠** This instruction sheet must be read in conjunction with the main installation manual supplied with the appliance. Please consult the main manual for general information and safety rules

## 2. List of accessories

- Wall fixing pipe covers/feet for VS, item: S2\_APCF

## 3. Predisposition

These accessories are designed to cover the hydraulic pipes coming up from the floor and into the appliance. They can be fitted to wall mounted VS models. They have a sleek design and are easy to remove for maintenance or cleaning.

These feet should not be used to fix the appliance to the floor; feet kit item: S2\_AFAP is designed specifically for this purpose.

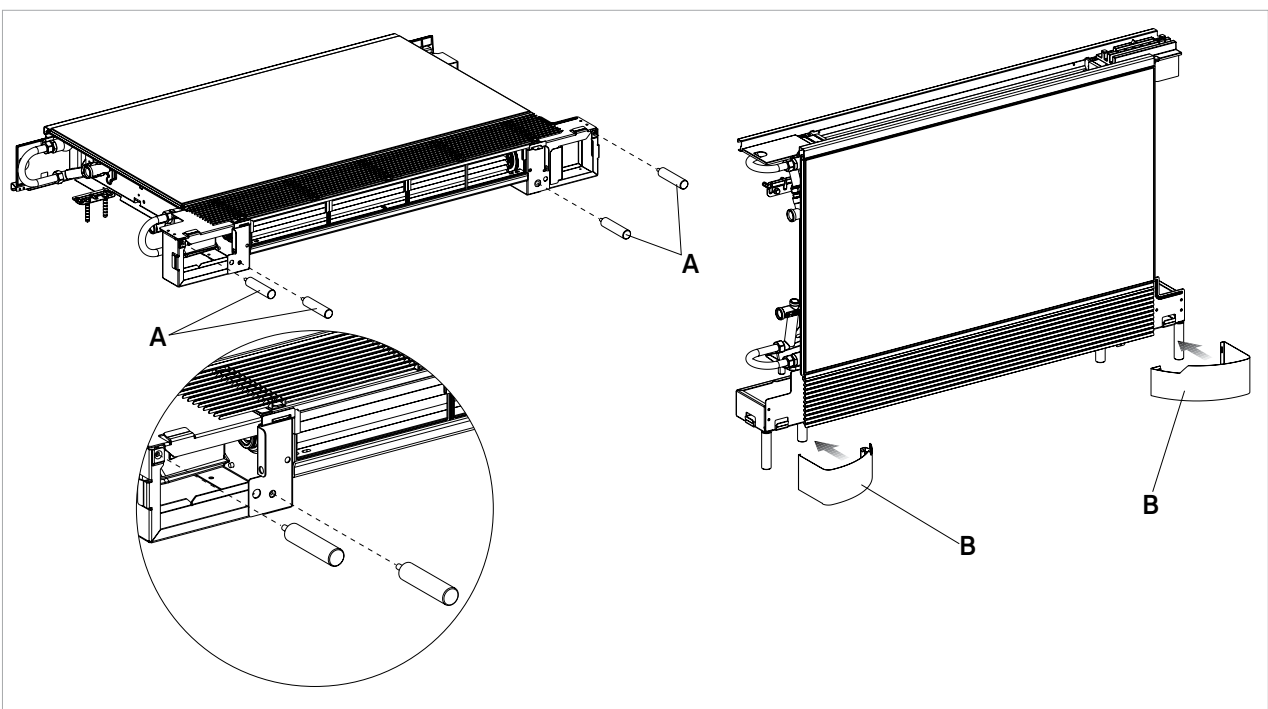
## 4. Mounting

To mount the decorative feet:

- Rest the back of the appliance on a horizontal surface.
- Screw the four threaded feet supports into to the chassis.

- Stand the appliance up again and fasten it to the wall.
- Fit the two covers to the supports.

- A** Threaded feet supports
- B** Feet covers



**A PURMO GROUP BRAND**   
Bulevardi 46  
P.O. Box 115  
FI-00121 Helsinki Finland  
www.purmogroup.com



**Myson**  
45 Krupp Drive  
P.O. Box 1460  
Williston, Vermont 05495  
USA  
www.mysoncomfort.com