



Installation Instruction for Ducted Ceiling Cover for VSI Models

iVector S2 | 2022-04-01

US/CND



1. Warnings

- ⚠ This instruction sheet must be read in conjunction with the main installation manual supplied with the appliance. Please consult the main manual for general information and safety rules.
- ⚠ The installation must be performed by a qualified installer.
- ⚠ Ducted Ceiling Cover Kits are to be used in recessed installations in combination with Built-in Casing Kits.
- ⚠ This Ducted Ceiling Cover Kit is for recessed units

installed in a horizontal position with ducted horizontal outlet. For installations in a VERTICAL position with non-ducted outlet or Horizontal position with non – ducted outlet an EXTERIOR COVER KIT FOR BUILT-IN INSTALLATION WITH NON-DUCTED OUTLET must be purchased.

Before installing the appliance, check that all necessary water and electrical connections have been set out correctly inside the metal casing.



2. List of accessories

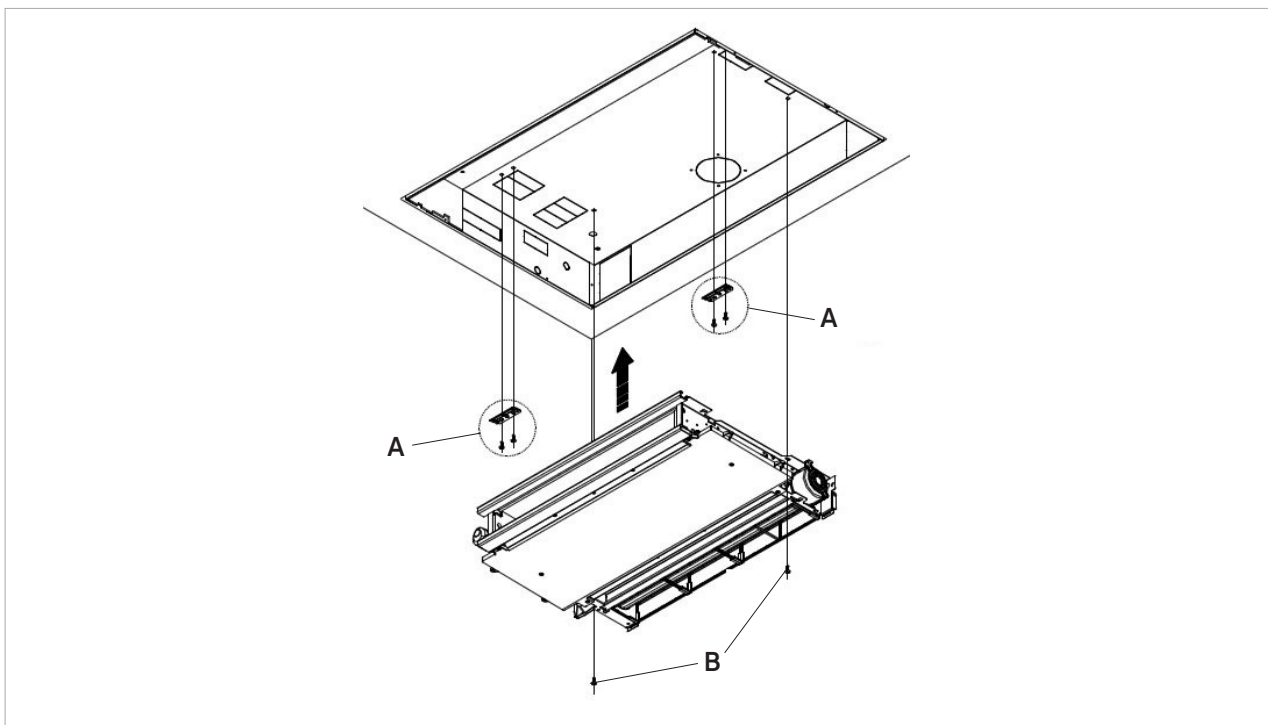
AVAILABLE KITS		
Model	Code 2 pipe versions	Code 4 pipe versions
VSI 7	S2_ADCC_VSI7	S2_ADCC_VSI7_4P
VSI 9	S2_ADCC_VSI9	S2_ADCC_VSI9_4P
VSI 11	S2_ADCC_VSI11	S2_ADCC_VSI11_4P
VSI 13	S2_ADCC_VSI13	S2_ADCC_VSI13_4P
VSI 15	S2_ADCC_VSI15	S2_ADCC_VSI15_4P

3. Installation of appliance in metal casing secured directly to the ceiling

- Toggle bolts with diameter 8mm (nominal 5/16 inch) must be inserted in the openings A and B when installing the metal casing. Install the two fixing brackets supplied with the appliance and fix them through the 4 holes, A, using the screws and washers supplied with the toggle bolts.
- Check that the brackets are properly secured by manually moving them from left to right, up and down.
- Install the appliance in the metal casing and hook it onto the brackets.
- Fix the device through the 2 holes, B, using the screws and washers supplied with the toggle bolts.
- Check the stability of the device.

A A hole

B B hole

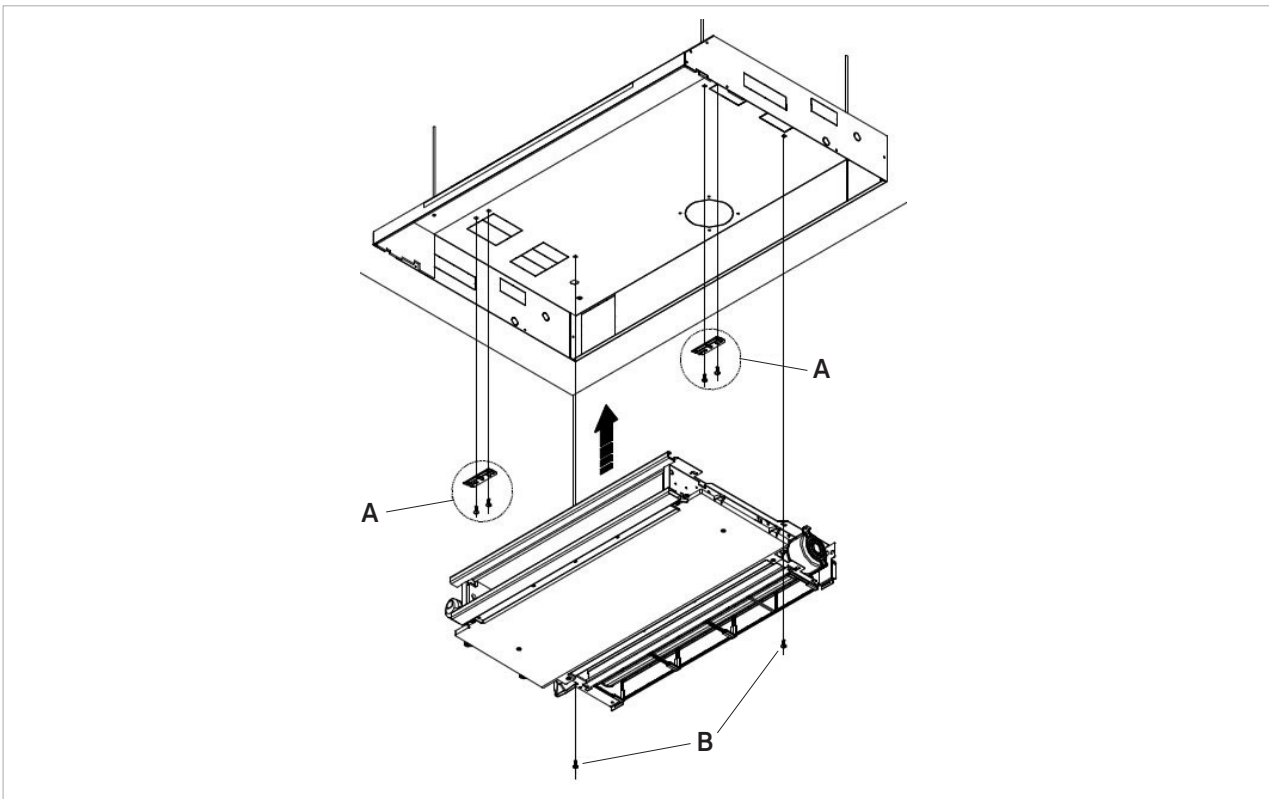


4. Installation of appliance in suspended metal casing secured using hanging ceiling anchor points

- The M6 CAGE NUTS, installed during the installation of the casing, should align with openings A and B. Fit the two mounting brackets supplied with the appliance and fix them through the 4 holes A, using the M6 screws, the spring washers and the washers supplied with BUILT-IN INSTALLATION KIT.
- Check that the brackets are properly secured by manually moving them from left to right, up and down.
- Install the appliance in the metal casing and hook it onto the brackets.
- Fix the device through the 2 holes B, using the M6 screws, spring washers and the washers supplied with BUILT-IN INSTALLATION KIT.
- Check the stability of the device.

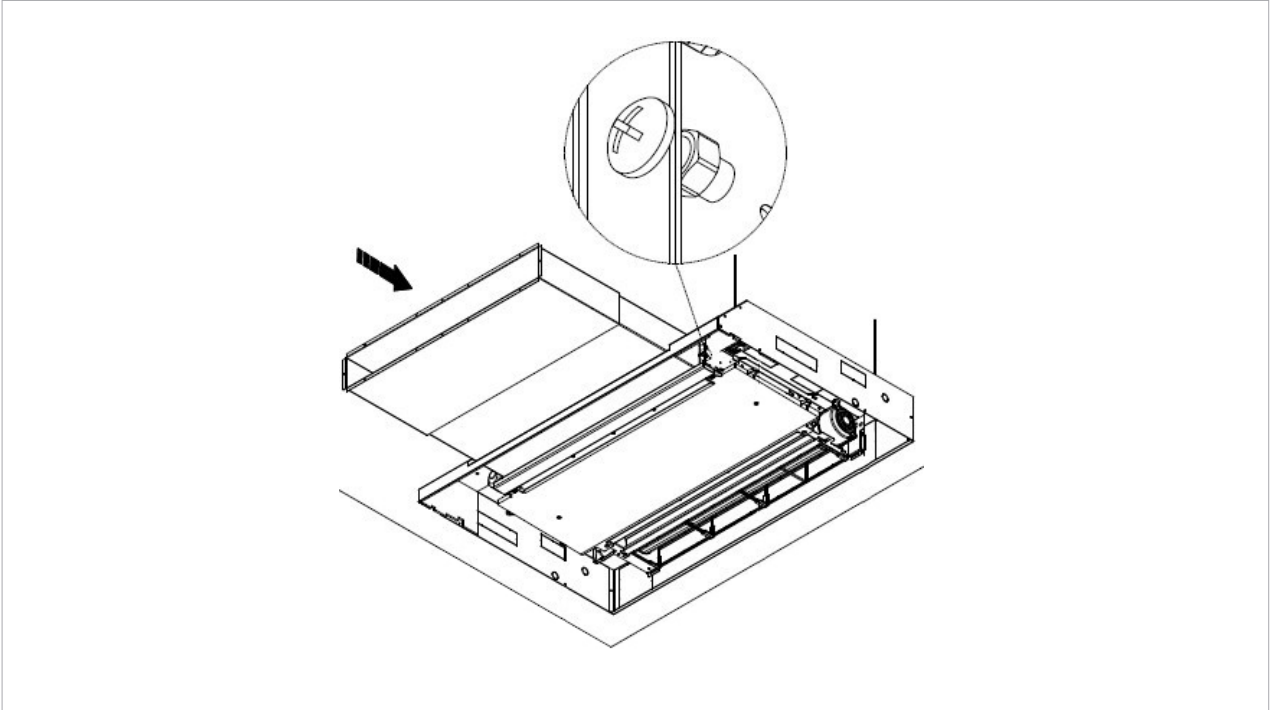
A A hole

B B hole



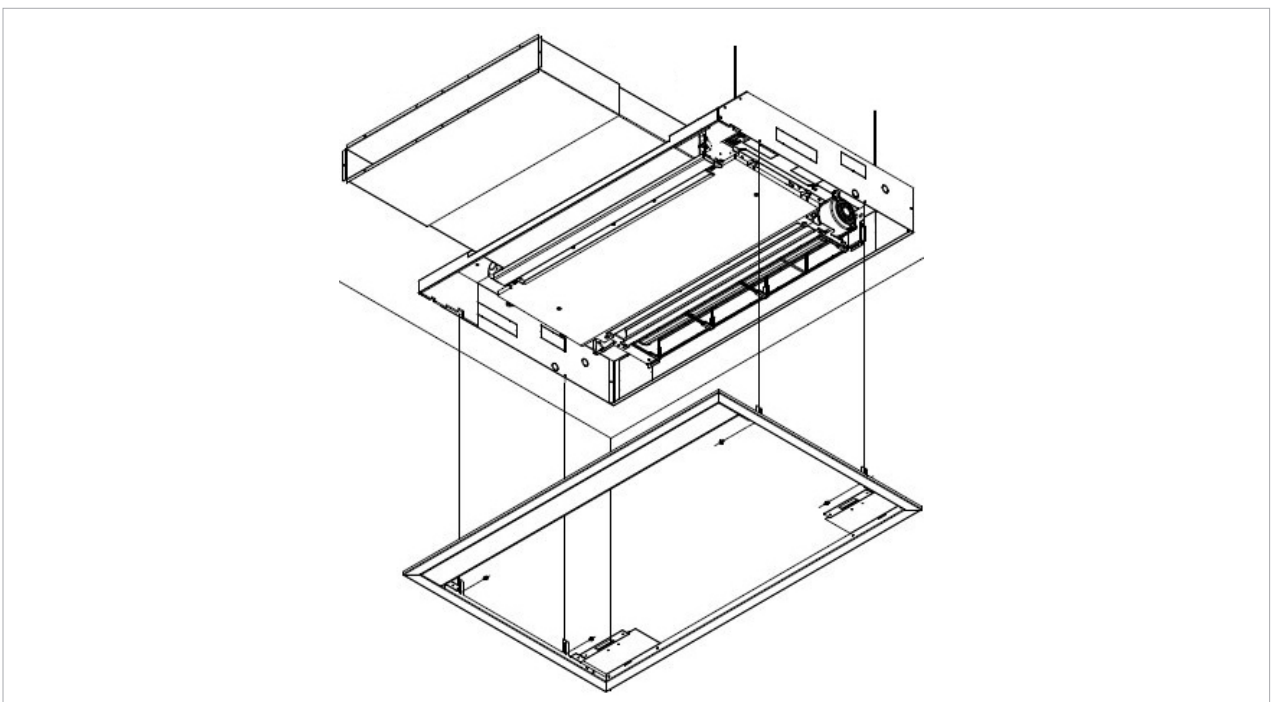
5. Installation of telescopic air outlet duct

- Insert the variable length air duct into the opening of the metallic casing.
- Secure the duct to the device using the M3 screws and nuts provided.



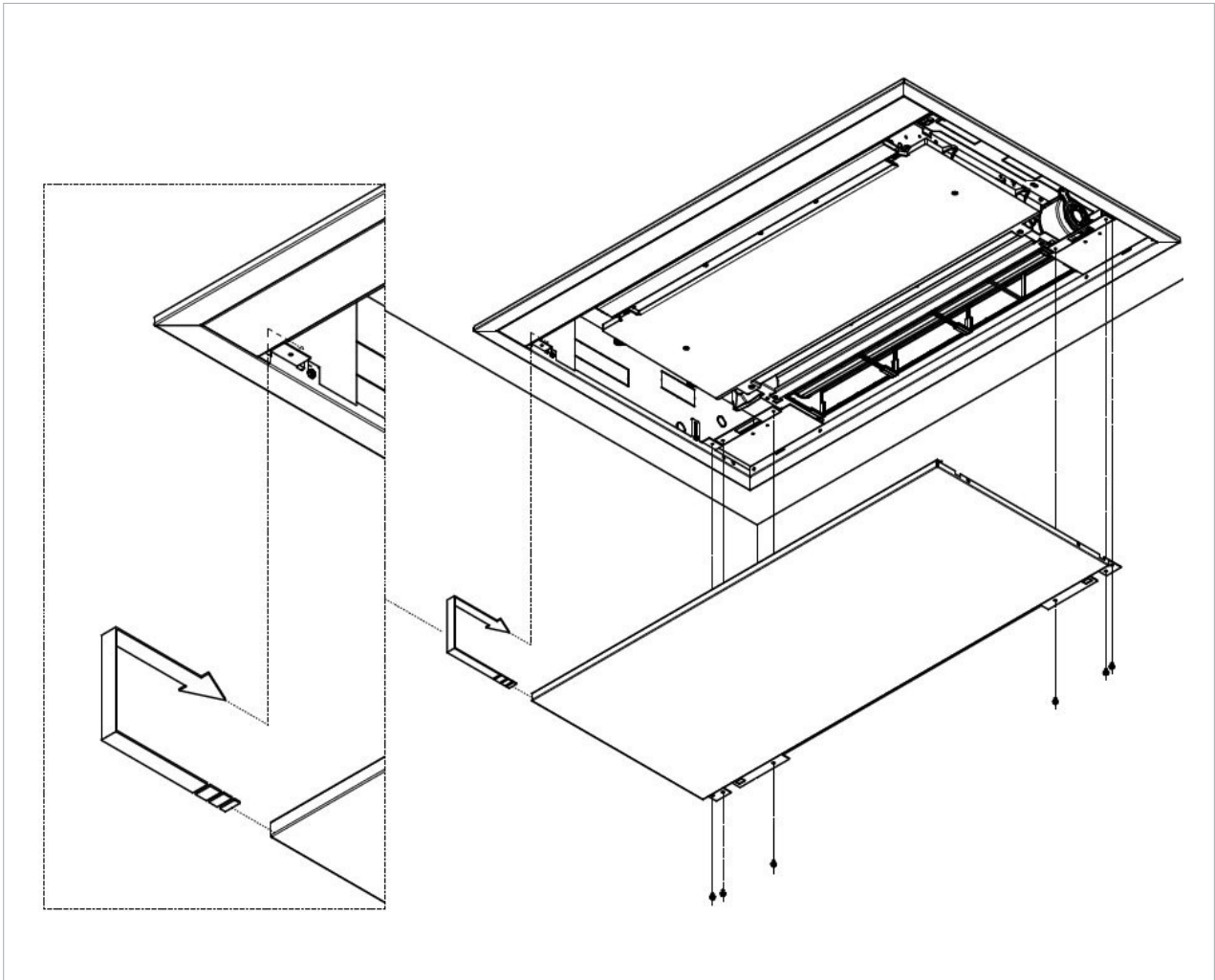
6. Installation of exterior frame

- Position the exterior frame with the correct orientation so that it is pushed close to the ceiling.
- Secure it to the sides of the built-in structure using the 4 self-threading screws supplied with the kit.



7. Installation of exterior front panel

- Position the exterior front cover near the built-in structure.
- Ensure the upper part of the front panel is hooked onto the tabs on the frame.



-  Secure the lower part of the panel using the 6 self-tapping screws supplied with the kit.

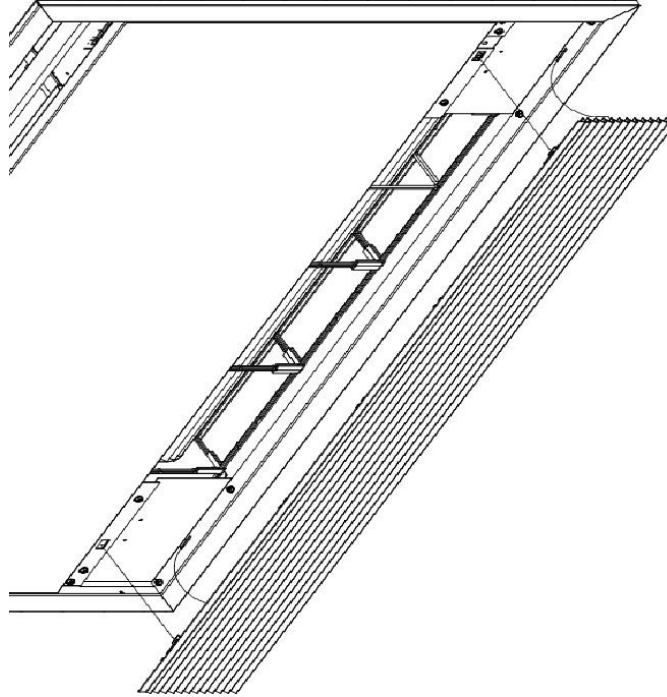
8. Installation of inlet grille



Install the front grille safety supports, following the instructions given in the manual supplied with the unit.

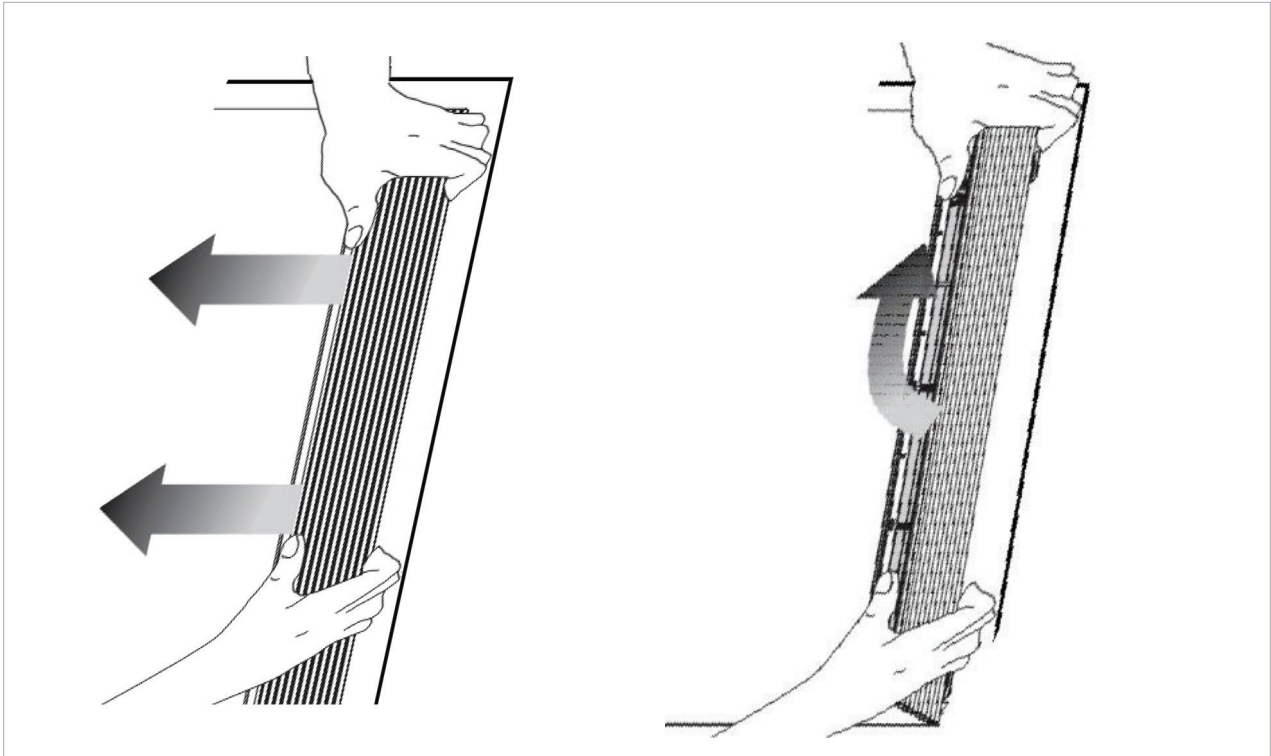
- Position the intake grill near the built-in structure.

- Insert the two tabs in the designated slots on the lower part of the frame.
- Close the grill by turning it until the upper teeth are locked in.

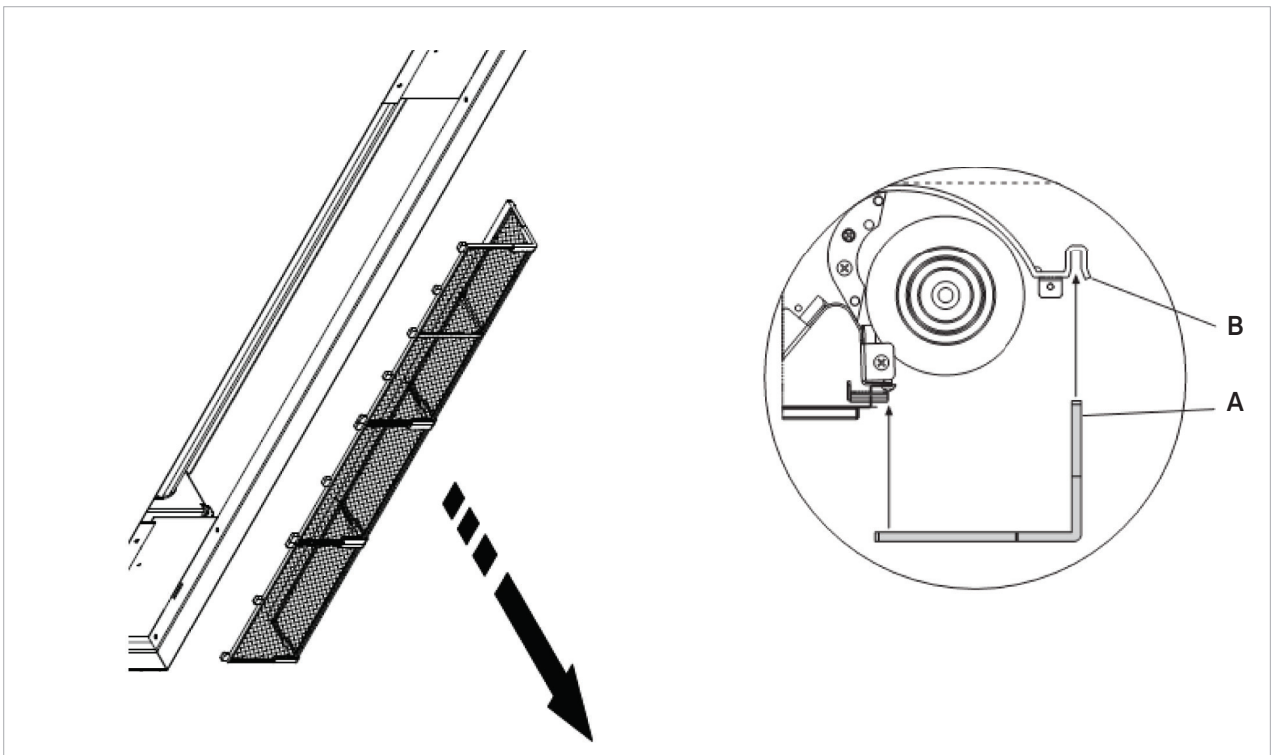


9. Cleaning the filter

- Remove the front grille by lifting it.
- Turn it until it completely lifts out of its housing.



- Extract the filters in a downward vertical direction and carry out the cleaning operations in accordance with the maintenance instructions supplied with the device.
- Replace the filters, taking particular care to insert the lower edge (A) into its housing (B).
- Close the grille again by turning it until the upper lamella are locked.





0000000000007_PG_MANUAL - Exterior Panel Kit for Built-In Ceiling Installations with Ducted Outlet-Vector-S2_2022-04-01_01_GB_NA_000000_01

A PURMO GROUP BRAND 
Bulevardi 46
P.O. Box 115
FI-00121 Helsinki Finland
www.purmogroup.com

Myson
45 Krupp Drive
P.O. Box 1460
Williston, Vermont 05495
USA
www.mysoncomfort.com

Every care has been taken in the creation of this document. No part of this document may be reproduced without the express written consent of Purmo Group. Purmo Group accepts no responsibility for any inaccuracies or consequences arising from the use or misuse of the information contained herein.

