



Variable length outlet air duct

90° outlet air duct

Air inlet adapter


Ducting Kits for VSI Models



iVector S2 | 2022-04-01

US/CND



1. Warnings

 This instruction sheet must be read in conjunction with the main installation manual supplied with the appliance. Please consult the main manual for general information and safety rules.

 In order to install the kit quickly and efficiently, please follow all instructions carefully.
 All the operations must be performed by qualified personnel.

2. List of accessories

AVAILABLE KITS			
Model	Variable length air flow duct Code	90° air outlet duct Code	Air intake adapter Code
VSI 7	S2_ATOD_VSI7	S2_A90OA_VSI7	S2_AIGA_VSI7
VSI 9	S2_ATOD_VSI9	S2_A90OA_VSI9	S2_AIGA_VSI9
VSI 11	S2_ATOD_VSI11	S2_A90OA_VSI11	S2_AIGA_VSI11
VSI 13	S2_ATOD_VSI13	S2_A90OA_VSI13	S2_AIGA_VSI13
VSI 15	S2_ATOD_VSI15	S2_A90OA_VSI15	S2_AIGA_VSI15

3. Predisposition

These kits are for recessed installation of VSI units.

WIDTH		
Model	X mm (nominal inch)	Y mm (nominal inch)
VSI 7	335 (13- ³ / ₁₆)	305 (12)
VSI 9	535 (21- ¹ / ₁₆)	505 (19- ⁷ / ₈)
VSI 11	735 (28- ¹⁵ / ₁₆)	705 (27- ³ / ₄)
VSI 13	935 (36- ¹³ / ₁₆)	905 (35- ⁵ / ₈)
VSI 15	1135 (44- ¹¹ / ₁₆)	1105 (43- ¹ / ₂)

4. Variable length outlet air duct

This outlet air duct is extendable from 300 mm to 600 mm in length (nominal 12 inch to 24 inch).

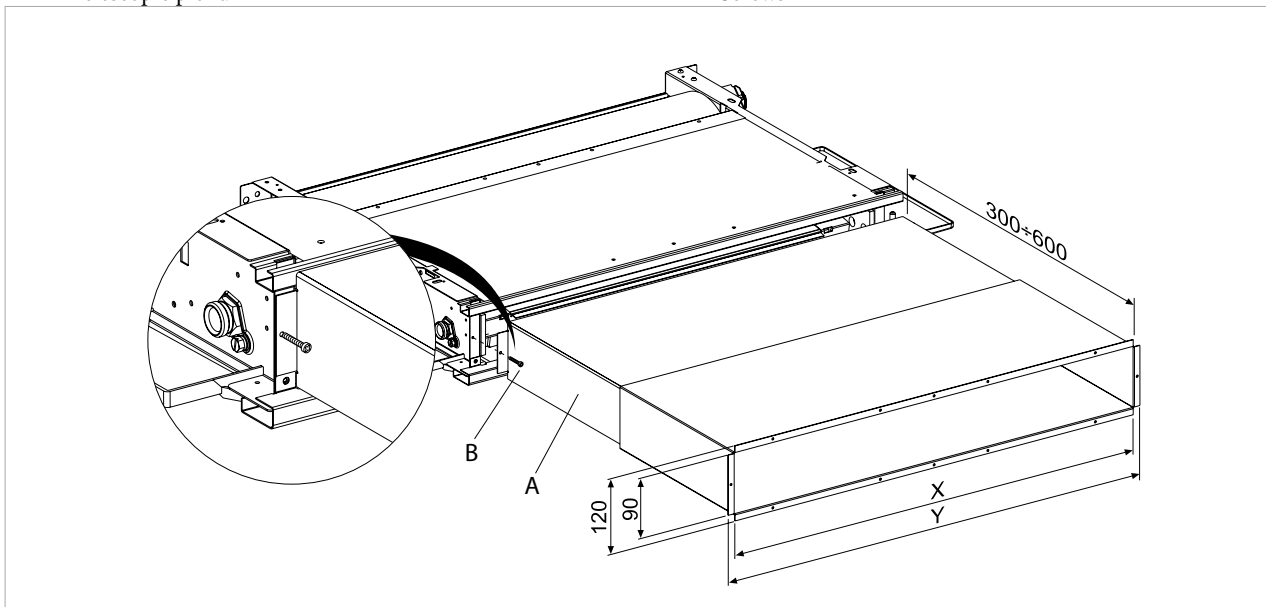
• Rest the appliance with its back on a flat surface.

• Position the telescopic plenum up against the top of the appliance.

• Fix the plenum with the two screws supplied.

A Telescopic plenum

B Screws



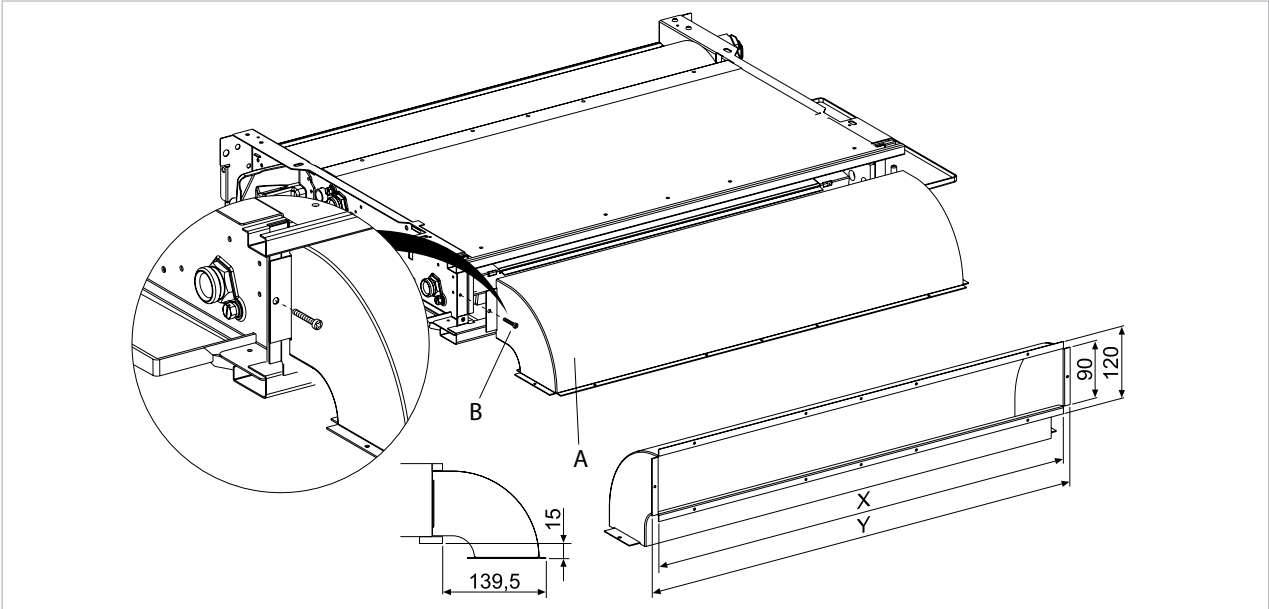
5. 90° outlet air duct

Mounting of this 90° curved insulated outlet air duct:

- Rest the appliance with its back on a flat surface
- Position the 90° plenum chamber up against the top of the appliance
- Fix the plenum with the two screws supplied.

A 90° Plenum Chamber

B Screws



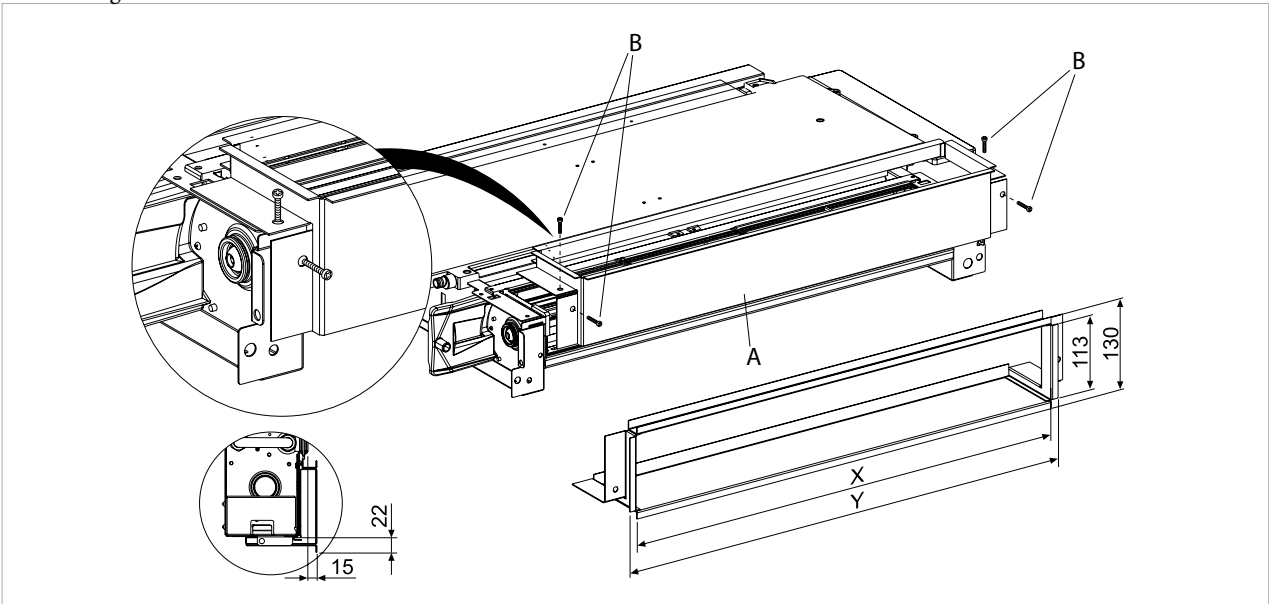
6. Air inlet adapter

Mounting of this air inlet adapter

- Rest the machine with its back on a flat surface.
- Remove the cover grille on the unit.
- Position the inlet duct up against the top of the appliance.
- Fix the intake duct with the screws supplied.

A Straight Plenum Chamber

B Screws





00000000000005_PG_MANUAL_Binding_Kiis -Vector-SZ_2022-04-01_01_01_00_00_000000_01

A PURMO GROUP BRAND 
Bulevardi 46
P.O. Box 115
FI-00121 Helsinki Finland
www.purmogroup.com

Myson
45 Krupp Drive
P.O. Box 1460
Williston, Vermont 05495
USA
www.mysoncomfort.com

Every care has been taken in the creation of this document. No part of this document may be reproduced without the express written consent of Purmo Group. Purmo Group accepts no responsibility for any inaccuracies or consequences arising from the use or misuse of the information contained herein.

