



# Condensate Tray Kit for Ceiling Installation

for VS Models in Horizontal Surface Mount Installations

iVector S2 | 2022-04-01



## 1. Warnings



This instruction sheet must be read in conjunction with the main installation manual supplied with the appliance. Please consult the main manual for general information and safety rules.

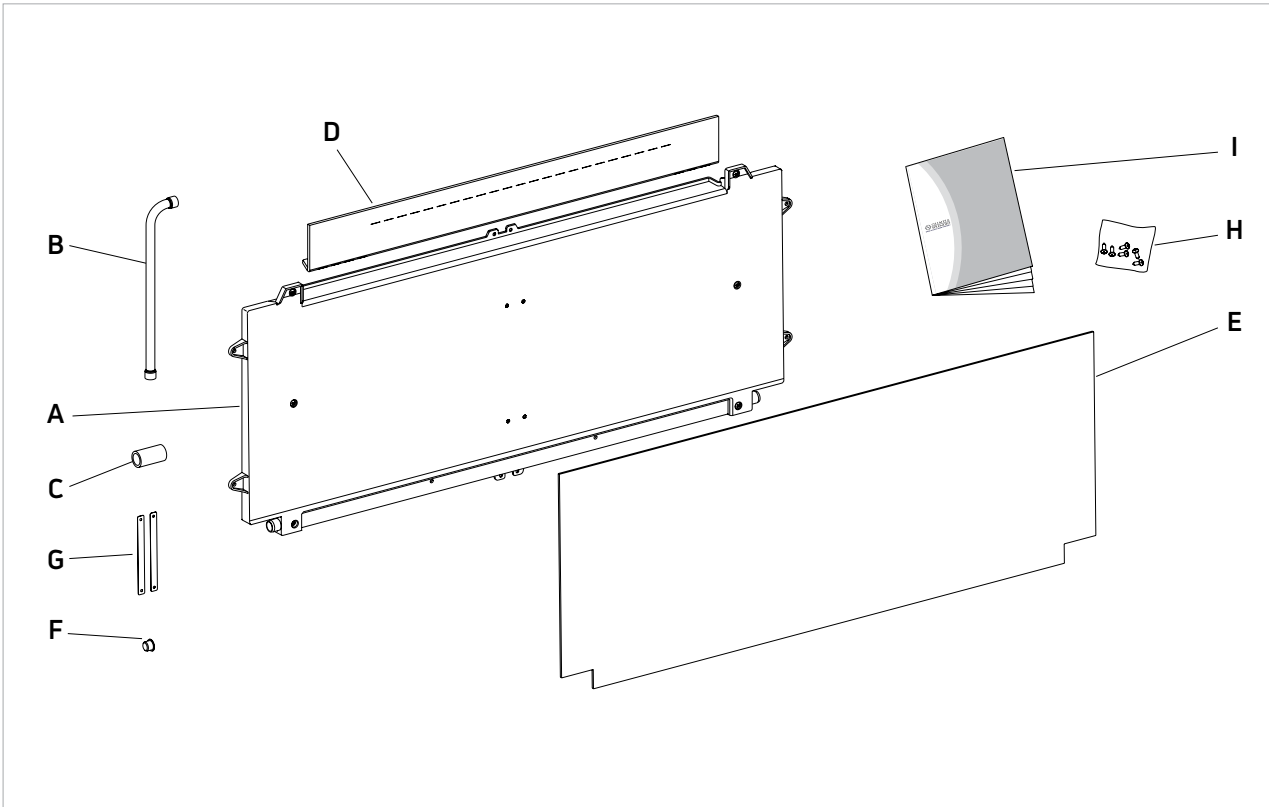
## 2. Description

This accessory kit is used for condensate collection when VS units are installed horizontally (on the ceiling).

AVAILABLE KITS	
Model	Code
Condensate collector tray for VS 7 (2 and 4 pipe version) for ceiling installation	S2_ACDP_VS7
Condensate collector tray for VS 9 (2 and 4 pipe version) for ceiling installation	S2_ACDP_VS9
Condensate collector tray for VS 11 (2 and 4 pipe version) for ceiling installation	S2_ACDP_VS11
Condensate collector tray for VS 13 (2 and 4 pipe version) for ceiling installation	S2_ACDP_VS13
Condensate collector tray for VS 13 (2 and 4 pipe version) for ceiling installation	S2_ACDP_VS15

### 3. Contents

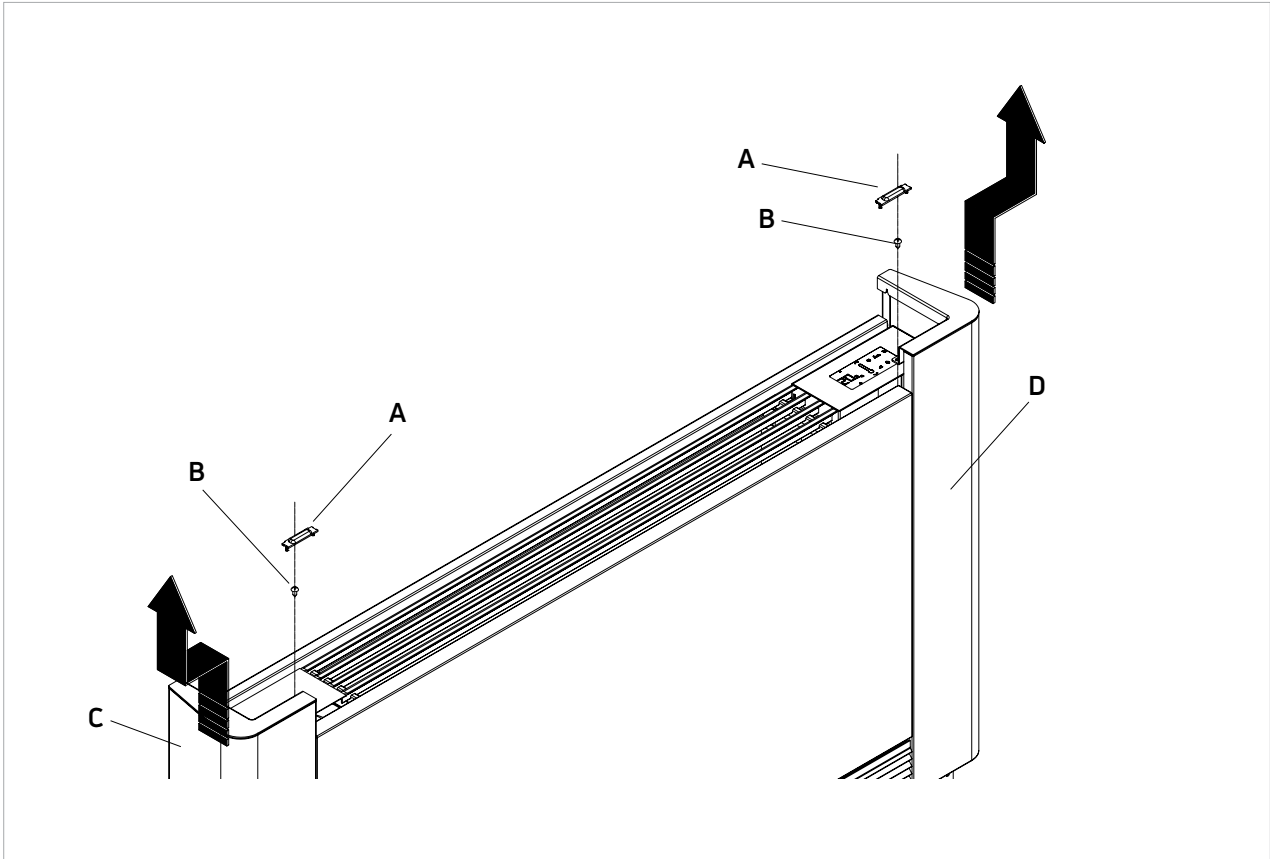
- |                                       |   |
|---------------------------------------|---|
| <b>A</b> Front Condensate Tray        | <b>B</b> Condensate drain pipe                      |
| <b>C</b> Condensate drain rubber hose | <b>D</b> Heat exchanger upper insulation            |
| <b>E</b> Front tray insulation        | <b>F</b> Transparent plug D 13mm (nominal 1/2 inch) |
| <b>G</b> Front grille safety support  | <b>H</b> Cap head screw                             |
| <b>I</b> Instruction sheet            |   |



## 4. Fitting procedure

### 4.1 Side panel removal

- On the left-hand side, lift the cover that protects the screw, loosen the screw that fixes the left panel, then move it slightly to the left and lift it up.
  - On the opposite side, lift the cover that protects the screw and unscrew it.
  - Move the side panel slightly to the right and lift it out.
- A** Cover  
**B** Fixing screws  
**C** Left Panel  
**D** Right panel



#### 4.2 Front cover removal

- Remove the lower front grille.
- Loosen the fixing screws on the front panel and remove it.
- Extract and remove the polystyrene insulation pieces from their locations.

- Loosen the fixing screws on the front closing brackets and remove them from the frame.
- Remove the heat exchanger upper insulation.

**B** Front panel fixing screw

**I** Heat Exchanger upper insulation

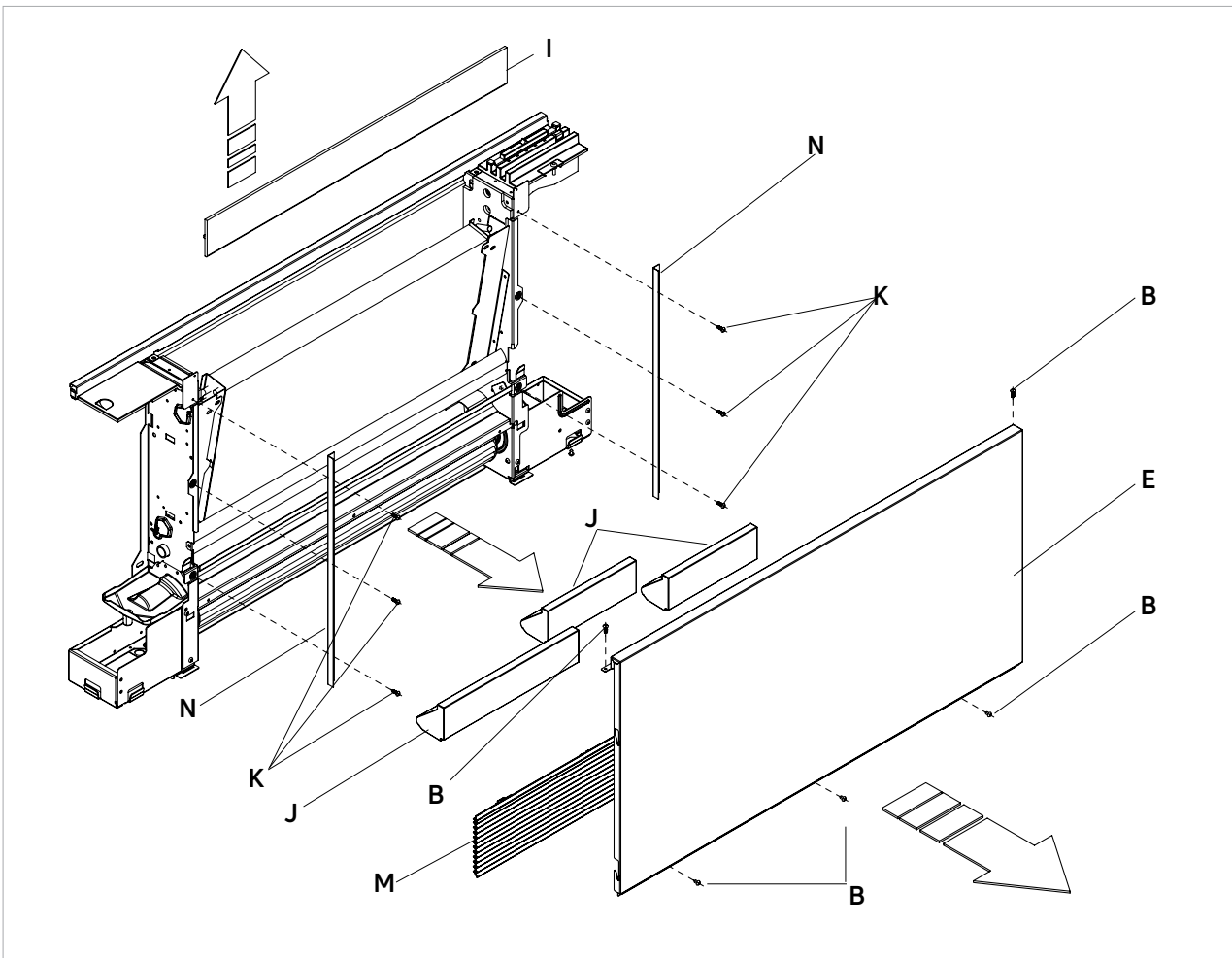
**K** Front closing brackets fixing screws

**N** Front closing brackets

**E** Front panel

**J** Polystyrene insulation pieces

**M** Lower front grille



### 4.3 Condensate tray mounting

- Before proceeding, make sure that the fall of the unit towards the drainage area is adequate to enable the outflow of water.
- Mount the front condensate tray, fixing it with the six cap head screws included in the kit and insulate the front using the special insulation.
- Make sure that the transparent plug is fitted to the un-used condensate tray drain off pipe, located opposite to the one in which the connections will be made for draining

Front Condensate Tray

R Special insulation

W Cap head screws

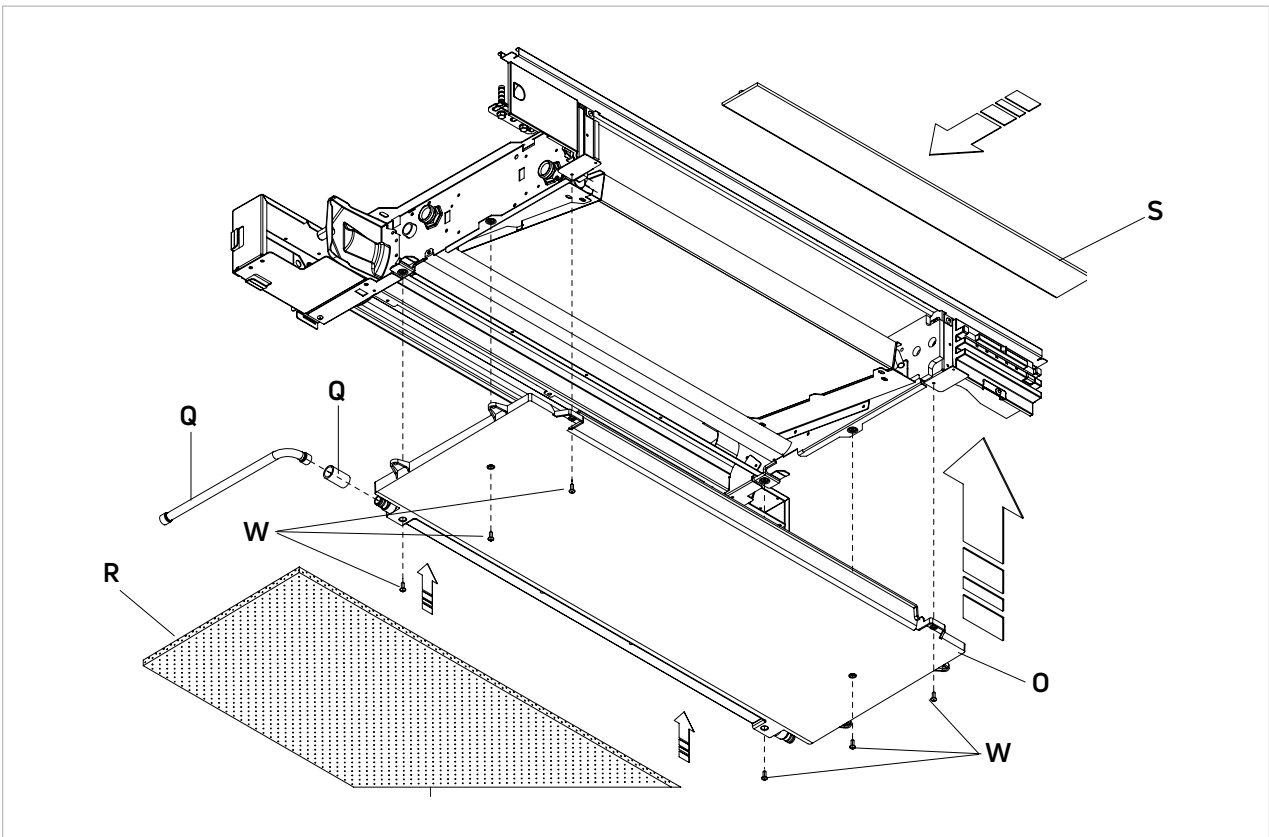
condensate.

- Make the connections for condensate drainage.
- Fit the heat exchanger upper insulation.
- When all the described operations have been completed, re-assemble the components previously removed in the first 7 points, in reverse order.

**⚠** In this type of installation, the front grille safety supports must be fitted (see the main installation manual).

Q Connections for condensate drain

S Heat exchanger upper insulation







00000000000008\_PG\_MANUAL-Condensate Tray Kit for Ceiling Installation -Vector-S2\_2022-04-01\_01\_GB\_NA\_0000000\_01

A PURMO GROUP BRAND   
Bulevardi 46  
P.O. Box 115  
FI-00121 Helsinki Finland  
[www.purmogroup.com](http://www.purmogroup.com)

**Myson**  
45 Krupp Drive  
P.O. Box 1460  
Williston, Vermont 05495  
USA  
[www.purmogroup.com](http://www.purmogroup.com)

Every care has been taken in the creation of this document. No part of this document may be reproduced without the express written consent of Purmo Group. Purmo Group accepts no responsibility for any inaccuracies or consequences arising from the use or misuse of the information contained herein.

