

Kontec Tubular Baseboard Radiators



Type 11 (1 set of tubes, 1 set of convectors)

- Elegant Architectural Radiators
 - Outputs up to 14,660 BTU/HR
- Available in horizontal and vertical configurations
 - Great substitute for fin tube baseboard



Horizontal and Vertical Tubes Type 11 4 Pipe Side Connection Radiators (1/2" BSP Female)

| Radiator Model | Type | Tubes | Height (in) | Length (in) | Output (BTU/HR) @ 180°F | Output (BTU/HR) @ 140°F | Weight (lbs) | Water Content (gal) |
|----------------|------|-------|-------------|-------------|-------------------------|-------------------------|--------------|---------------------|
| KK062411 | 11 | 2 | 5 5/8" | 24 | 1,254 | 702 | 11 | 0.18 |
| KK063611 | | | | 36 | 1,881 | 1,055 | 16 | 0.27 |
| KK064811 | | | | 48 | 2,508 | 1,404 | 21 | 0.36 |
| KK066311 | | | | 63 | 3,150 | 1,843 | 28 | 0.47 |
| KK067111 | | | | 71 | 3,762 | 2,077 | 31 | 0.53 |
| KK068711 | | | | 87 | 4,423 | 2,545 | 38 | 0.65 |
| KK069511 | | | | 95 | 5,016 | 2,780 | 42 | 0.72 |
| KK0611911 | | | | 119 | 6,270 | 3,510 | 54 | 1.00 |
| KK092411 | 11 | 3 | 8 7/16" | 24 | 1,518 | 849 | 15 | 0.26 |
| KK093611 | | | | 36 | 2,282 | 1,277 | 22 | 0.39 |
| KK094811 | | | | 48 | 3,041 | 1,702 | 30 | 0.52 |
| KK096311 | | | | 63 | 4,051 | 2,267 | 39 | 0.69 |
| KK097111 | | | | 71 | 4,558 | 2,551 | 44 | 0.78 |
| KK099511 | | | | 95 | 6,082 | 3,404 | 59 | 1.05 |
| KK0911911 | 119 | 7,599 | 4,253 | 61 | 1.57 | | | |
| KK122411 | 11 | 4 | 11 1/4" | 24 | 1,754 | 888 | 20 | 0.40 |
| KK123611 | | | | 36 | 2,631 | 1,332 | 30 | 0.50 |
| KK124811 | | | | 48 | 3,508 | 1,776 | 39 | 0.70 |
| KK126311 | | | | 63 | 4,604 | 2,331 | 52 | 0.90 |
| KK127111 | | | | 71 | 5,262 | 2,664 | 59 | 1.10 |
| KK129511 | | | | 95 | 6,797 | 3,441 | 76 | 1.40 |
| KH172411 | 11 | 6 | 16 15/16" | 24 | 2,932 | 1,642 | 27 | 0.52 |
| KH173211 | | | | 32 | 3,909 | 2,189 | 36 | 0.69 |
| KH174011 | | | | 40 | 4,887 | 2,737 | 45 | 0.87 |
| KH174811 | | | | 48 | 5,864 | 3,284 | 54 | 1.04 |
| KH177111 | | | | 71 | 8,796 | 4,926 | 71 | 1.56 |
| KH1711911 | | | | 119 | 14,660 | 8,210 | 133 | 2.60 |
| KH232411 | 11 | 8 | 22 5/8" | 24 | 3,556 | 1,992 | 35 | 0.72 |
| KH233611 | | | | 36 | 5,334 | 2,988 | 53 | 1.08 |
| KH234011 | | | | 40 | 5,927 | 3,320 | 59 | 1.20 |
| KH234811 | | | | 48 | 7,112 | 3,984 | 71 | 1.44 |
| KS791411 | 11 | 5 | 78 47/64" | 14 | 3,865 | 2,163 | 59 | 1.32 |
| KS791711 | | 6 | | 17 | 4,646 | 2,600 | 70 | 1.54 |
| KS792311 | | 8 | | 24 | 5,421 | 3,034 | 80 | 1.77 |

**outputs based on water supply temperatures @ 20Δ T x 68°F room temperature

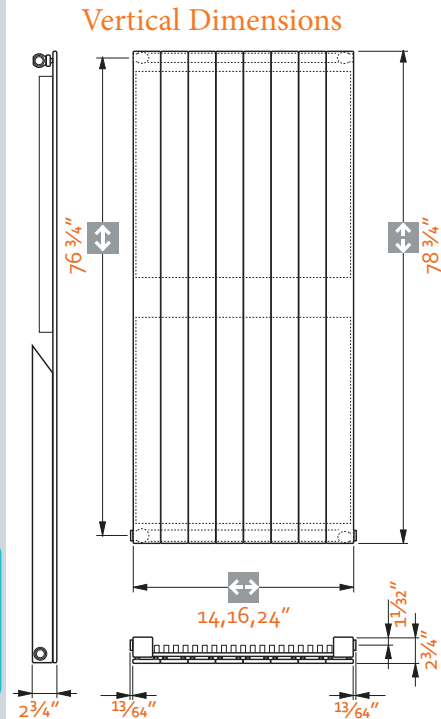
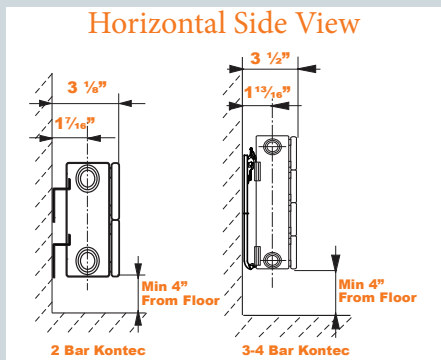
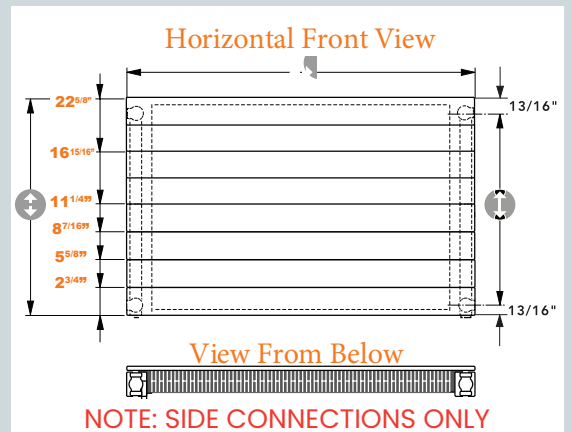
All Kontec Radiators: Test Pressure: 191 psi Max Operating Pressure: 147 psi

Additional horizontal types:
Type20, Type22, Type23, Type34,
Type35, Type46, Type58 are
available with heights up to 31"
and lengths up to 95" Please
contact us for more information.

Standard Features

- White enameled appliance finish
- Contoured side panels and top grille
- Installed: plugs and air vent

Actual Dimensions



Now offering an extensive range of colors. Please contact QHT for details.



www.ecostyle.us

800-501-7697

www.purmoUSA.com

PURMO

05/03/2021