

Ecostyle SR Towel Bar Radiators



Ecostyle SR Towel Bar Radiator
Matte Black Finish

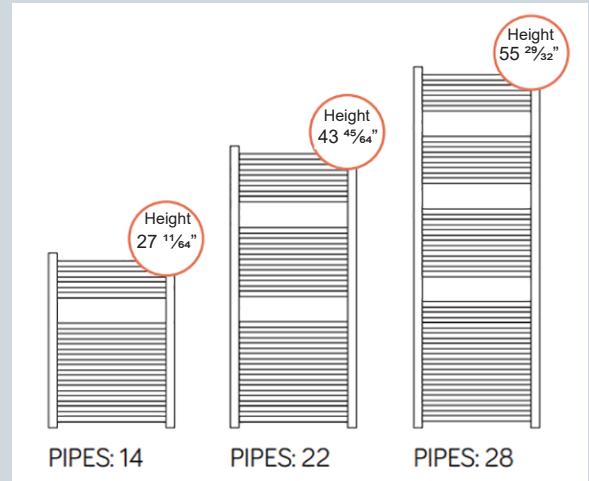
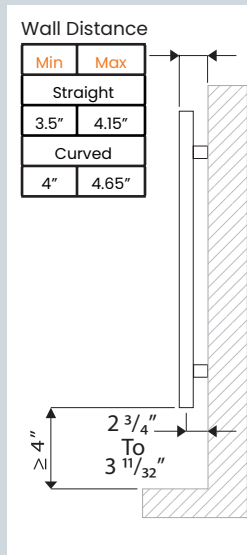
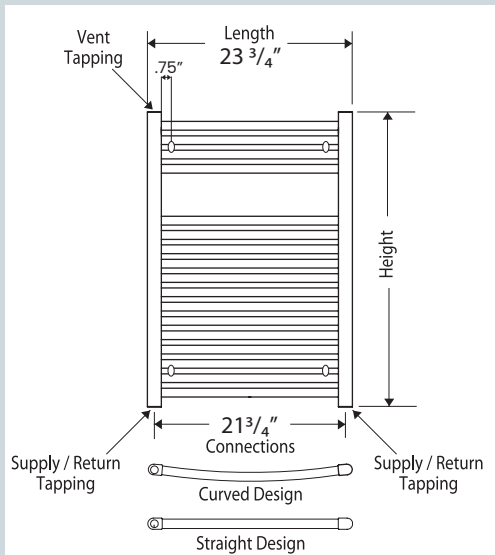


Ecostyle SR Towel Bar Radiator
White Enameled Finish

Elegantly Designed Straight and Curved Towel Bars

- White enameled finish or matte black finish
- Provides both radiant heat to room and towels
- Well suited for standard efficiency and condensing boilers
 - Easy to sub-zone





Ecostyle SR Towel Bar Radiators (All items in chart are fully stocked)
4 Connections- (1/2" BSP Female)

Radiator Model #	FINISH	STYLE	Width (in)	Height (in)	Output (BTU/HR) @ 180°F	Output (BTU/HR) @ 140°F	Weight (lbs)	Water Content (gal)
ECS-SR2724SW	WHITE	STRAIGHT	23 3/4"	27 11/64"	1535	835	12	1.0
ECS-SR2724CW	WHITE	CURVED		27 11/64"	1535	835	12	1.0
ECS-SR4324SW	WHITE	STRAIGHT		43 45/64"	2382	1296	20	1.5
ECS-SR4324CW	WHITE	CURVED		43 45/64"	2382	1296	20	1.5
ECS-SR5524SW	WHITE	STRAIGHT		55 29/32"	3117	1696	25	1.9
ECS-SR2724SB	MATTE BLACK	STRAIGHT	23 3/4"	27 11/64"	1535	835	12	1.0
ECS-SR4324SB	MATTE BLACK	STRAIGHT		43 45/64"	2382	1296	25	1.9

Optional Accessories

- Valves (Shutoff and Thermostatic)
- Automatic Hygroscopic Air Vent
- Towel Robe Hooks or S Hooks



(HYGROSCOPIC AIR VENT)



(ROBE Hook)



(S Hook)

Standard Features

- White or Matte Black Finish
- Wall Mounting Brackets Included
- Manual Coin Air Vent Included
- 22 mm Ø Pipes

Now offering an extensive range of colors. Please contact QHT for details.



Scan For More Information
QHT
 INCORPORATED
 The New Style of Warmth

www.ecostyle.us

800-501-7697

www.purmoUSA.com



10/11/2022