

Overview:



Standard Features

- White enameled appliance finish
- Installed side panels and top grille
- Installed plug and air vent

Sales Features:

Elegant Architectural Tube Radiator | White enameled finish for scratch & corrosion resistance
Provides both radiant and convective heat | Well suited for standard efficiency and condensing boilers
Easy to sub-zone | Available Up-sell to custom paint, selecting any RAL color

Engineering Specifications:

Design:

Radiator is a fully welded horizontal design, with 1 to 5 layers of steel rectangular water-flow pipes arranged one-behind-the-other, each layer consisting of from 2 to 4 pipes arranged one-above-the other. A 1/16" / 2 mm space between the heating pipes guarantee additional resistance to corrosion and ease of cleaning. Radiator comes with a drain plug and a pivoting vent plug, all of them factory-sealed. Radiators will normally be delivered with removable Side panels and Top grill.

Radiators, are delivered with wall brackets as standard, See optional mounting sheet.

Dimensions:

Horizontal design: overall lengths between 24" / 600mm and 119" / 3000mm are available.

Horizontal design: available overall heights are 5 5/8" / 142mm, 8 7/16" / 214mm, 11 1/4" / 286mm.

Vertical design: overall lengths between 14" / 350mm, 17" / 400mm, 23 5/8" / 600mm, 28 1/4" / 700mm. .

Vertical design: available overall heights is 78 4/64" / 2000mm.

Standard design: rectangular steel pipes, 2 3/4" / 70mm x 7/16" / 11mm x 1/16" / 1.5mm

High-pressure design: rectangular steel pipes, 2 3/4" / 70mm x 7/16" / 11mm x 1/16" / 2.0 mm

Coatings:

1. Undercoat: electrophoretic, using water-soluble paints, conforming to DIN 55900 part 1, Heated at 329F / 165° C;

2. Finish: electrostatic powder coating, conforming to DIN 55900 part 2, in a state-of-the-art facility. (On request, and at a supplementary charge, a range of RAL and sanitary ware colors can be offered.) This particularly coating is heated at an object temperature of 356F / 180° C.

Packaging:

1. Cardboard packaging
2. Edge protection
3. Shrink wrap

Distributor: QHT Inc. | 3560 Lafayette Rd | Bldg 2, Unit "A" | Portsmouth | NH | 03801

Manufacturer: Purmo Group Ltd | Bulevardi 46 | P.O. Box 115 | FI-00121 Helsinki | Finland

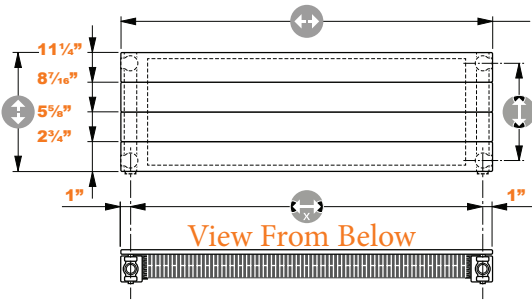
Purmo Group / QHT Inc both reserve the right to make changes without notice due to continuing engineering and technological advances



www.purmoUSA.com
800-501-7697

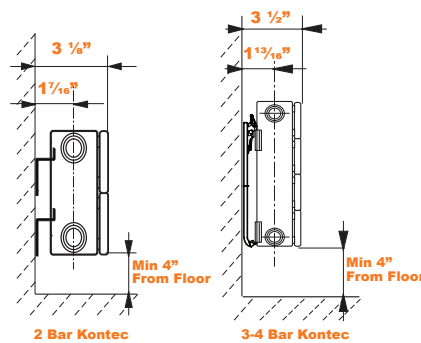
Actual Rough-In / Mounting Dimensions

Horizontal Front View

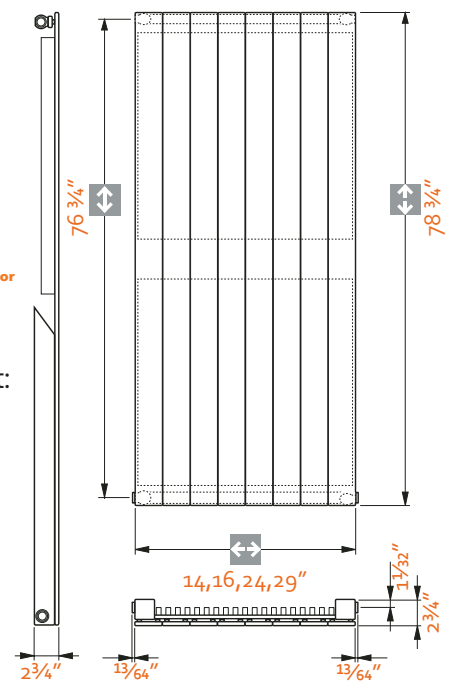


View From Below

Horizontal Side View

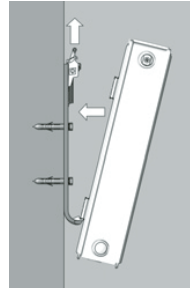
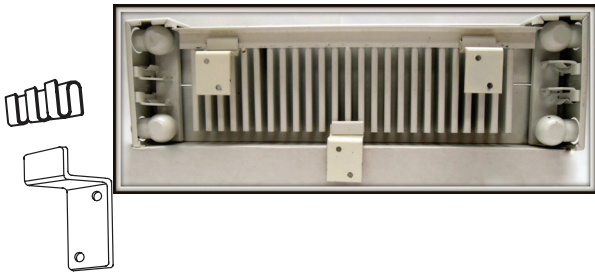


Vertical Dimensions



2 BAR Kontec wall mount bracket:

3-4 Bar Kontec wall mount bracket:



Specifications

Horizontal & Vertical Panels (Sizes in chart are fully stocked)
 4 Connections- (1/2" BSP Female)

| Radiator Model | Type | Tubes | Height (in) | Length (in) | Output (BTU/HR) @ 180°F | Output (BTU/HR) @ 140°F | Weight (lbs) | Water Content (gal) | UPC# | |
|----------------|------|-------|-------------|-------------|-------------------------|-------------------------|--------------|---------------------|---------------|----|
| KK062411 | 11 | 2 | 55/8" | 24 | 1,254 | 702 | 11 | 0.18 | 6438149243783 | |
| KK063611 | | | | 36 | 1,881 | 1,055 | 16 | 0.27 | 6438149243844 | |
| KK064811 | | | | 48 | 2,508 | 1,404 | 21 | 0.36 | 6438149243905 | |
| KK066311 | | | | 63 | 3,150 | 1,843 | 28 | 0.47 | 6438149243981 | |
| KK067111 | | | | 71 | 3,762 | 2,077 | 31 | 0.53 | 6438149244025 | |
| KK068711 | | | | 87 | 4,423 | 2,545 | 38 | 0.65 | 6438149244087 | |
| KK069511 | | | | 95 | 5,016 | 2,780 | 42 | 0.72 | 6438149244100 | |
| KK0611911 | | | | 119 | 6,270 | 3,510 | 54 | 1.00 | 6438149244162 | |
| KK092411 | 11 | 3 | 87/16" | 24 | 1,518 | 849 | 15 | 0.26 | 6438149244308 | |
| KK093611 | | | | 36 | 2,282 | 1,277 | 22 | 0.39 | 6438149244346 | |
| KK094811 | | | | 48 | 3,041 | 1,702 | 30 | 0.52 | 6438149244421 | |
| KK096311 | | | | 63 | 4,051 | 2,267 | 39 | 0.69 | 6438149244506 | |
| KK097111 | | | | 71 | 4,558 | 2,551 | 44 | 0.78 | 6438149244544 | |
| KK099511 | | | | 95 | 6,082 | 3,404 | 59 | 1.05 | 6438149244629 | |
| KK0911911 | | | | 119 | 7,599 | 4,253 | 61 | 1.57 | 6438149244681 | |
| KK122411 | 11 | 4 | 11 1/4" | 24 | 1,754 | 888 | 20 | 0.40 | 6438149244827 | |
| KK123611 | | | | 36 | 2,631 | 1,332 | 30 | 0.50 | 6438149244889 | |
| KK124811 | | | | 48 | 3,508 | 1,776 | 39 | 0.70 | 6438149244940 | |
| KK126311 | | | | 63 | 4,604 | 2,331 | 52 | 0.90 | 6438149245022 | |
| KK127111 | | | | 71 | 5,262 | 2,664 | 59 | 1.10 | 6438149245060 | |
| KK129511 | | | | 95 | 6,797 | 3,441 | 76 | 1.40 | 6438149245145 | |
| KS791411 | | | | 11 | 5 | 78 47/64" | 14 | 3,865 | 2,163 | 59 |
| KS791711 | 17 | 4,646 | 2,600 | | | | 70 | 1.54 | | |
| KS792311 | 8 | 24 | 5,421 | | | | 3,034 | 80 | 1.77 | |
| KS792911 | 10 | 29 | 8,343 | | | | 4,218 | 115 | 2.6 | |

**outputs based on water supply temperatures @ 20°Δ T x 68°F room temperature
 All Kontec Radiators:
 Test Pressure: 191 psi
 Max Operating Pressure: 147 psi



Distributor: QHT Inc. | 3560 Lafayette Rd | Bldg 2, Unit "A" | Portsmouth | NH | 03801

Manufacturer: Purmo Group Ltd | Bulevardi 46 | P.O. Box 115 | FI-00121 Helsinki | Finland

Purmo Group / QHT Inc both reserve the right to make changes without notice due to continuing engineering and technological advances

www.purmoUSA.com
 800-501-7697