

Overview:



Standard Features

- Internal thermostatic valve Body
- Contoured side panels and grille
- Adjustable mounting brackets
- Installed, plugs, and air vent

Sales Features:

Elegant steel panel radiator design | White enameled finish for scratch & corrosion resistance
Provides both radiant and convective heat | Well suited for standard efficiency and condensing boilers
Easy to sub-zone | Available Up-sell to custom paint, selecting any RAL color

Engineering Specifications:

Standard Description:

CV, RCV, PCV Type 21 & 22 radiators have welded double water panels and 1-2 rows of convectors. This radiator is also equipped with a built-in thermostatic valve insert.

Standard Material:

18 Ga. Construction High Quality, deep-drawing, low carbon, cold rolled steel sheet.

Standard Operating Pressure:

Standard Design: 145 psi Maximum operating temperature: 230° F

Standard Connections:

CV, RCV, PCV radiators have (6) ½" connections; (2) on each side top and bottom, and (2) on the bottom right 2" center to center.

Standard Finish:

1. Undercoat: electrophoretic, using water-soluble paints, conforming to DIN 55900 part 1, baked at 347° F;
2. Finish coat: RAL 9016 white electrostatic powder coating, conforming to DIN 55900 part. This coat is baked at a temperature of 374° F.

OPTIONAL-

Large range of RAL colors available at a supplementary charge. Pedestal floor mount optional.

Standard Hardware:

Includes all necessary wall mounting brackets for proper installation.

Standard Warranty:

Purmo radiators come standard with a ten (10) Year Limited Warranty.



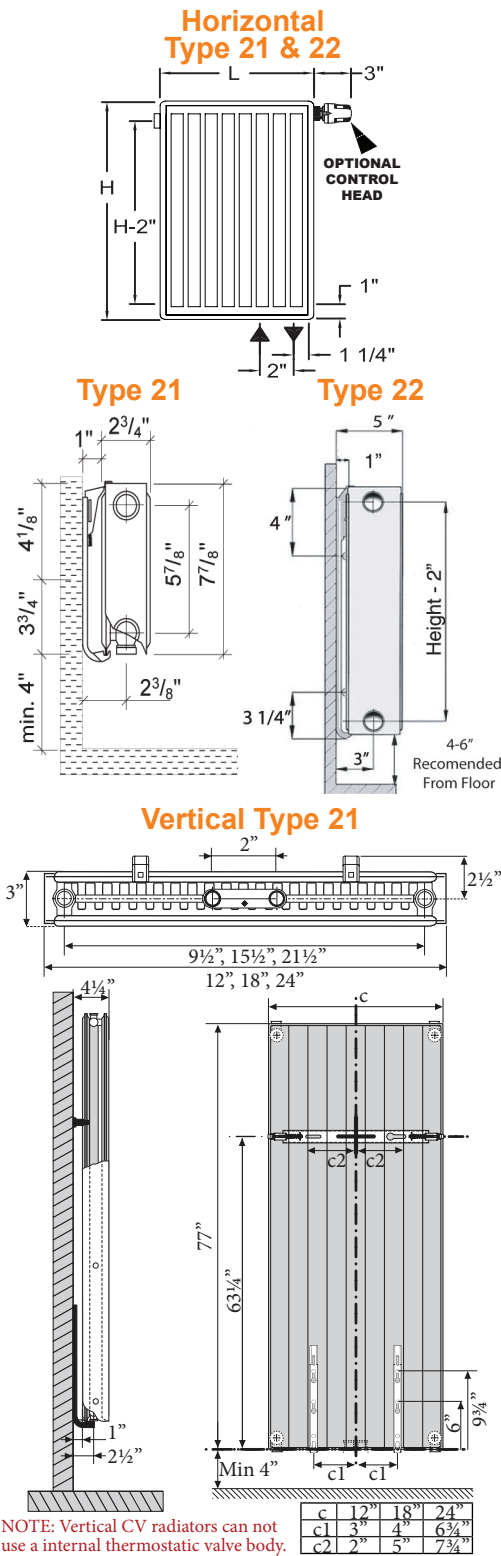
Distributor: QHT Inc. | 3560 Lafayette Rd | Bldg 2, Unit "A" | Portsmouth | NH | 03801

Manufacturer: Purmo Group Ltd | Bulevardi 46| P.O. Box 115 | FI-00121 Helsinki | Finland

Purmo Group / QHT Inc both reserve the right to make changes without notice due to continuing engineering and technological advances

www.purmoUSA.com
800-501-7697

Actual Dimensions



STEEL PANEL RADIATORS									
Models Available		Height (inch)	Length (inch)	Output (BTU/HR) @ 180°F x 68°F**	Output (BTU/HR) @ 140°F x 68°F**	Weight (lbs)		Water Content (gal)	Equivalent Baseboard @ 180°F (ft)
CV	RCV & PCV					CV	RCV & PCV		
X	X	8"	24"	1,346	781	14	17	.40	2.25
X	X		36"	2,022	1,173	22	27	.60	3.40
X	X		48"	2,698	1,565	29	35	.80	4.50
X	X		56"	3,147	1,825	34	41	.90	5.25
X	X		71"	4,046	2,347	43	52	1.2	6.75
X	X		92"	5,172	3,000	55	67	1.5	8.62
X	X	12"	120"	6,742	3,910	77	94	2.0	11.23
X	X		16"	1,705	1,031	15	18	.37	3.00
X	X		24"	2,562	1,548	22	27	.53	4.50
X	X		32"	3,414	2,064	29	35	.71	6.00
X	X		40"	4,266	2,579	37	45	.90	7.50
X	X		48"	5,119	3,094	44	54	1.08	9.00
X	X	16"	56"	5,971	3,610	51	62	1.27	10.50
X	X		64"	6,828	4,128	58	71	1.43	12.00
X	X		16"	2,167	1,310	20	24	.48	3.80
X	X		24"	3,254	1,967	30	37	.71	5.70
X	X		32"	4,337	2,622	40	49	.95	7.60
X	X		40"	5,421	3,277	49	60	1.19	9.50
X	X	20"	48"	6,504	3,932	59	72	1.43	11.40
X	X		56"	7,587	4,586	69	84	1.66	13.30
X	X		64"	8,675	5,244	78	95	1.90	15.20
X	X		71"	9,758	5,899	88	107	2.11	17.10
X	X		16"	2,610	1,578	25	30	.58	4.60
X	X		24"	3,916	2,367	37	45	.87	6.90
X	X	24"	32"	5,221	3,156	50	61	1.14	9.20
X	X		40"	6,526	3,945	62	76	1.43	11.40
X	X		48"	7,831	4,734	74	90	1.72	13.70
X	X		56"	9,137	5,523	86	105	2.01	16.00
X	X		64"	10,442	6,312	98	120	2.30	18.30
X	X		16"	3,037	1,836	30	37	.69	5.30
X	X	36"	24"	4,551	2,751	45	55	1.06	8.00
X	X		32"	6,069	3,669	60	73	1.40	10.60
X	X		40"	7,587	4,586	74	90	1.74	13.30
X	X		48"	9,106	5,504	89	109	2.09	16.00
X	X		56"	10,624	6,422	104	127	2.43	18.60
X	X		64"	12,138	7,337	118	144	2.80	21.30
X	X	77"	71"	13,656	8,255	133	162	3.14	24.00
X	X		16"	4,240	2,563	46	56	.95	7.40
X	X		24"	6,362	3,846	68	83	1.43	11.20
X	X		32"	8,480	5,126	90	110	1.90	14.90
X	X		36"	9,544	5,822	101	NA	2.1	15.90
X	X		40"	10,602	6,409	112	137	2.38	18.60
X	X	77"	48"	12,724	7,691	135	165	2.85	22.30
X			12"	3,903	2,340	61	NA	1.9	6.85
X			18"	5,848	3,509	91	NA	2.9	9.80
X		24"	7,793	4,674	122	NA	3.9	13.50	

Distributor: QHT Inc. | 3560 Lafayette Rd | Bldg 2, Unit "A" | Portsmouth | NH | 03801

Manufacturer: Purmo Group Ltd | Bulevardi 46 | P.O. Box 115 | FI-00121 Helsinki | Finland

Purmo Group / QHT Inc both reserve the right to make changes without notice due to continuing engineering and technological advances



www.purmoUSA.com
 800-501-7697