

Narbonne Tubular Radiators



Type II (1 side of tubes, 1 convector)

- Elegant Architectural Radiators
 - Outputs up to 9,906 BTU/HR
- Available horizontal and vertical configurations
- Well suited for standard efficiency and condensing boilers
 - Easy to sub-zone



Horizontal and Vertical Panels Type 11
 5 Connections- 3 (1/2" BSP Female),
 2 (3/4" Connical Male)

Product Code	Height (inch)	Tubes	Length (inch)	Output (BTU/HR) @ 180°F x 68°F**	Output (BTU/HR) @ 140°F x 68°F**	Weight (lbs)	Water Content (gal)
NH062411	5 1/2"	2	24"	1,254	702	11	.18
NH063611			36"	1,881	1,055	16	.27
NH064811			48"	2,508	1,404	21	.36
NH066311			63"	3,150	1,843	28	.47
NH067111			71"	3,762	2,077	31	.53
NH068711			87"	4,423	2,545	38	.65
NH069511			95"	5,016	2,780	42	.72
NH0611911			119"	6,270	3,510	54	1.00
NH092411	8 1/2"	3	24"	1,518	849	15	.26
NH093611			36"	2,282	1,277	22	.39
NH094811			48"	3,041	1,702	30	.52
NH096311			63"	4,051	2,267	39	.69
NH097111			71"	4,558	2,551	44	.78
NH099511			95"	6,082	3,404	59	1.05
NH0911911	119"	7,599	4,253	61	1.57		
NH172411	17"	6	24"	2,476	1,386	30	.52
NH173611			36"	3,715	2,079	44	.78
NH174811			48"	4,951	2,771	59	1.05
NH176311			63"	6,603	3,696	74	1.31
NH177111			71"	7,430	4,159	89	1.57
NH179511			95"	9,906	5,544	118	2.09
NV791411	7 3/4"	5	14"	3,865	2,163	59	1.32
NV791711		6	17"	4,646	2,600	70	1.54
NV792311		7	23"	5,421	3,034	80	1.77
NV792911		8	29"	6,202	3,471	90	2.00

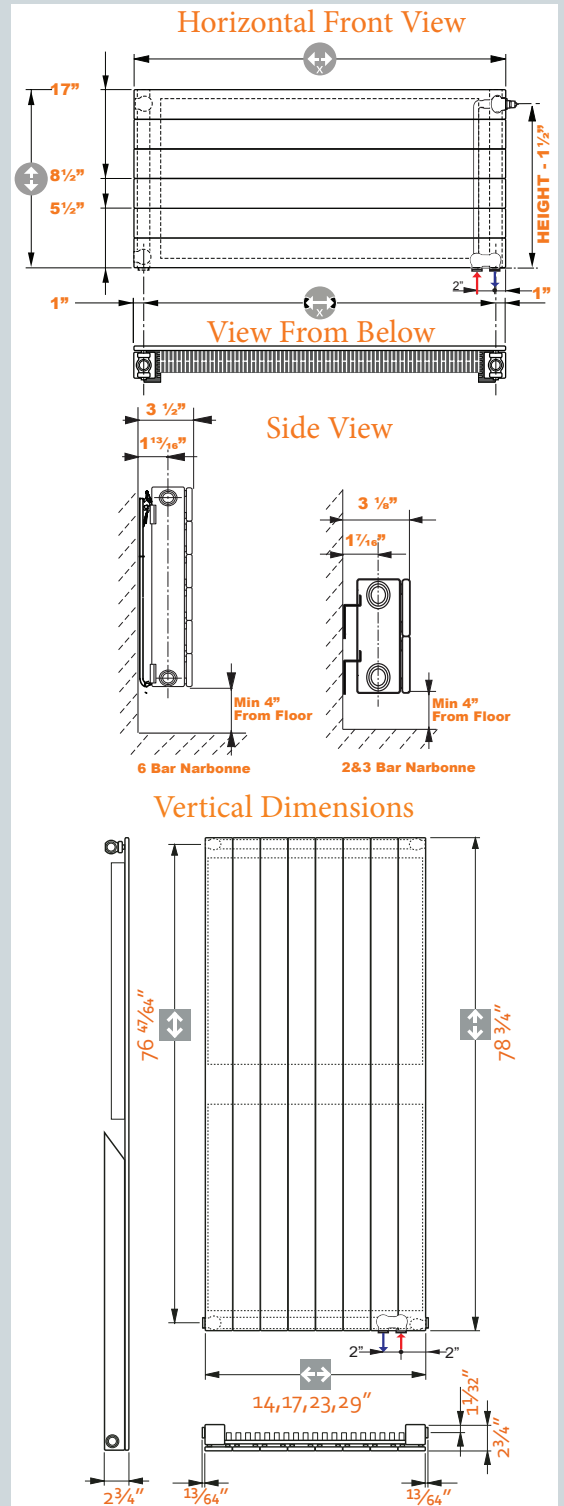
**outputs based on water supply temperatures @ 20°Δ T x 68°F room temperature
 All Narbonne Radiators: Test Pressure: 191 psi Max Operating Pressure: 147 psi

Additional horizontal types: Type20, Type22, Type23, Type34, Type35, Type46, Type58 are available with heights up to 31" and lengths up to 95" Please contact us for more information.

Standard Features

- White enameled appliance finish
- Contoured side panels and top grille
- Installed: plugs and air vent

Actual Dimensions



NOTE: SUPPLY/RETURN IS OPPOSITE FROM HORIZONTAL TO VERTICAL NARBONNE



Now offering an extensive range of colors. Please contact QHT for details.



www.qhtinc.com 800-501-7697

www.purmoUSA.com

