

Ecostyle CV Steel Panel Radiators



Type 22 (2 Panels, 2 Convectors)

- Elegant steel panel radiator design
- White enameled finish for scratch & corrosion resistance
 - Provides both radiant and convective heat
- Well suited for standard efficiency and condensing boilers
 - Easy to sub-zone



Horizontal Panels Type 22 6 Pipe Connection Panels (1/2" BSP Female)

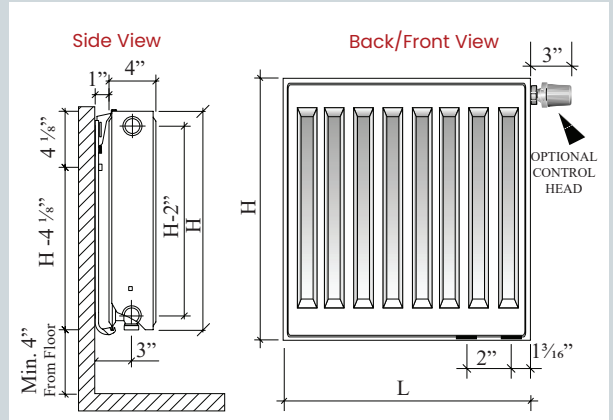
Product Code	Height (inch)	Length (inch)	Output (BTU/HR) @ 180°F x 68°F**	Output (BTU/HR) @ 140°F x 68°F**	Weight (lbs)	Water Content (gal)
ECS8 2422CV	8"	24"	1809	971	16	.40
ECS8 3222CV		32"	2413	1295	22	.60
ECS8 3622CV		36"	2717	1459	25	.70
ECS8 4822CV		48"	2361	1944	33	.90
ECS8 5622CV		56"	4226	2269	38	1.00
ECS8 6422CV		64"	4826	2591	43	1.20
ECS8 7122CV		71"	5430	2915	49	1.30
ECS8 7922CV		79"	6034	3240	54	1.50
ECS8 9222CV		92"	6939	3725	62	1.70
ECS8 10222CV		102"	7843	4211	71	1.90
ECS8 12022CV	120"	9051	4859	81	2.20	
ECS12 1622CV	12"	16"	1,705	1,031	15	.37
ECS12 2422CV		24"	2,562	1,548	22	.53
ECS12 3222CV		32"	3,414	2,064	29	.71
ECS12 4022CV		40"	4,266	2,579	37	.90
ECS12 4822CV		48"	5,119	3,094	44	1.08
ECS12 5622CV		56"	5,971	3,610	51	1.27
ECS16 1622CV	16"	16"	2,167	1,310	20	.48
ECS16 2422CV		24"	3,254	1,967	30	.71
ECS16 3222CV		32"	4,337	2,622	40	.95
ECS16 4022CV		40"	5,421	3,277	49	1.19
ECS16 4822CV		48"	6,504	3,932	59	1.43
ECS16 5622CV		56"	7,587	4,586	69	1.66
ECS16 6422CV		64"	8,675	5,244	78	1.90
ECS16 7122CV		71"	9,758	5,899	88	2.11
ECS20 1622CV	20"	16"	2,610	1,578	25	.58
ECS20 2422CV		24"	3,916	2,367	37	.87
ECS20 3222CV		32"	5,221	3,156	50	1.14
ECS20 4022CV		40"	6,526	3,945	62	1.43
ECS20 4822CV		48"	7,831	4,734	74	1.72
ECS20 5622CV		56"	9,137	5,523	86	2.01
ECS24 1622CV	24"	16"	3,037	1,836	30	.69
ECS24 2422CV		24"	4,551	2,751	45	1.06
ECS24 3222CV		32"	6,069	3,669	60	1.40
ECS24 4022CV		40"	7,587	4,586	74	1.74
ECS24 4822CV		48"	9,106	5,504	89	2.09
ECS24 5622CV		56"	10,624	6,422	104	2.43
ECS24 6422CV		64"	12,138	7,337	118	2.80
ECS24 7122CV		71"	13,656	8,255	133	3.14
ECS36 1622CV	36"	16"	4,240	2,563	46	.95
ECS36 2422CV		24"	6,362	3,846	68	1.43
ECS36 3222CV		32"	8,480	5,126	90	1.90
ECS36 3622CV		36"	9,544	5,822	101	2.1
ECS36 4022CV		40"	10,602	6,409	112	2.38
ECS36 4822CV		48"	12,724	7,691	135	2.85

**outputs based on water supply temperatures @ 20°Δ T x 68°F room temperature
All CV Radiators: Test Pressure: 191 psi - Max Operating Pressure: 147 psi

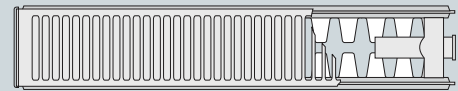
NOTE: Other sizes are available per request, please contact for more options.



Actual Dimensions



Type 22



Standard Features

- Internal thermostatic valve body
- Contoured side panels and top grille
- Adjustable mounting brackets
- Installed: plugs and air vent

Now offering an extensive range of colors. Please contact QHT for details.



www.ecostyle.us

800-501-7697

www.purmoUSA.com


PURMO
05/03/2021