



Delta Column Bench



Column Radiators

comfort delivered by **PURMO**

DELTA BENCH - Tube a Radiators

Product Code	Height (inch)	Length (inch)	Width (inch)	# Of Columns	Output (BTU/HR) @ 180°F x 68°F**	Output (BTU/HR) @ 140°F x 68°F**	Weight (lbs)	Water Content (gal)				
DBH6150200	15.4"	59"	8.5"	6	6,420	3,590	83	9.9				
DBH6150250	17.25"				7,856	4,472	100	11.9				
*DBH6150300	19"				8,743	4,952	118	14.0				
DBH6150350	21"				9,963	5,644	134	16.0				
DBH6180200	15.4"	71"			8.5"	6	7,707	4,320	95	11.3		
DBH6180250	17.25"						9,464	5,379	115	13.7		
DBH6180300	19"						10,561	5,987	135	16.1		
DBH6180350	21"						12,090	6,826	155	18.5		
DBH6200200	15.4"	78.75"					8.5"	6	8,564	4,808	103	12.3
DBH6200250	17.25"								10,539	5,984	125	14.9
DBH6200300	19"								11,773	6,678	149	17.5
DBH6200350	21"								13,518	7,614	169	20.2
DBH6250200	15.4"	98.5"	8.5"	6					10,704	6,033	100	14.6
DBH6250250	17.25"								13,242	7,500	150	17.8
DBH6250300	19"								14,832	8,423	175	21.0
DBH6250350	21"								17,139	9,599	202	24.3
DBH6280200	15.4"	110.25"			8.5"	6			11,987	6,772	142	17.0
DBH6280250	17.25"								14,871	8,410	174	20.8
DBH6280300	19"								16,677	9,478	205	24.6
DBH6280350	21"								19,340	10,795	238	28.4

DELTA BENCH - TOPS

Product Code	Length (inch)	Width (inch)	Weight (lbs)	Description
*AZ13DZ836150	59"	8.5"	52	Beachwood
AZ13DZ836180	71"		59	Beachwood
AZ13DZ836200	79"		65	Beachwood
AZ13DZ836250	99"		79	Beachwood
AZ13DZ836280	110"		90	Beachwood

Custom cut template is available for purchase to manufacture your own top

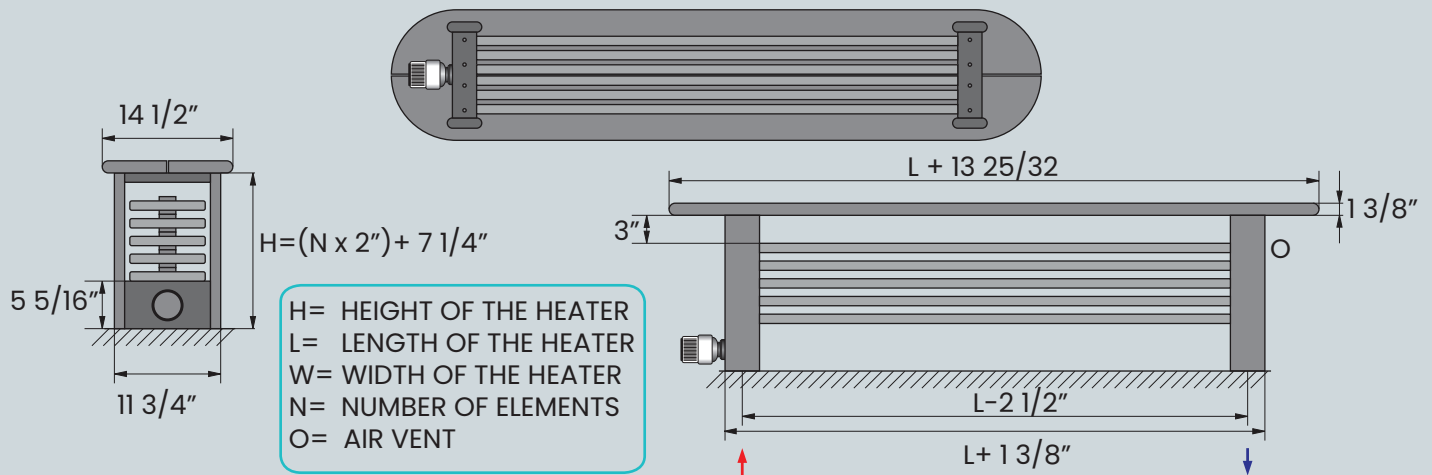
Water Connections

Stock range: 2 x 1/2" BSP connections. Bench radiators include air vent, thermostatic valve, shutoff valve and non electric thermostatic head.

***In stock product. All others are custom order.** Stock color is grey legs and white radiator. All other colors are custom order.

**outputs based on water supply temperatures @ 20°Δ T x 68°F room temperature
All Kontec Radiators: Test Pressure: 191 psi Max Operating Pressure: 147 psi

Actual Dimensions



Distributor: QHT Inc. | 3560 Lafayette Rd | Bldg 2, Unit "A" | Portsmouth | NH | 03801

Manufacturer: Purmo Group Ltd | Bulevardi 46| P.O. Box 115 | FI-00121 Helsinki | Finland

Purmo Group / QHT Inc both reserve the right to make changes without notice due to continuing engineering and technological advances

www.purmoUSA.com
800-501-7697

