

# ECOSTYLE CV

Panel Radiators



Elegant steel panel radiator design

White enameled finish for scratch & corrosion resistance

Provides both radiant and convective heat

Well suited for standard efficiency and condensing boilers

Easy to sub-zone

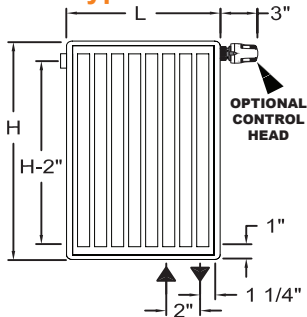


# CV STEEL PANEL RADIATORS

Horizontal and Vertical Panels  
6 Connections- (1/2" BSP Female)

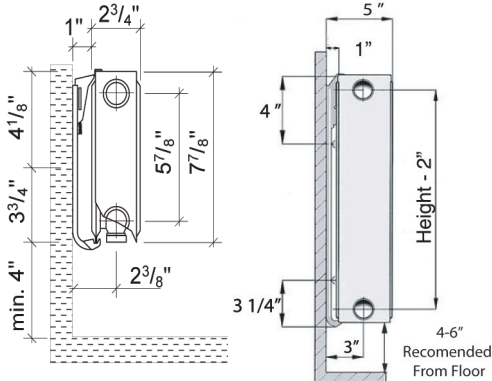
## Actual Dimensions

### Horizontal Type 21 & 22

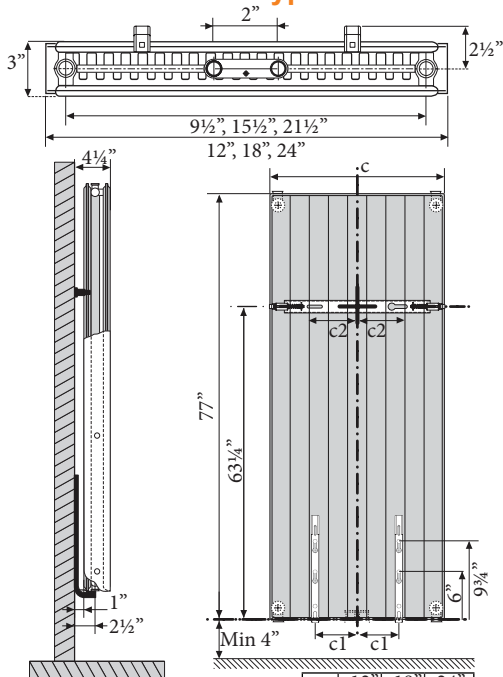


### Type 21

### Type 22



### Vertical Type 21



NOTE: Vertical CV radiators can not use a internal thermostatic valve body.

c	12"	18"	24"
c1	3"	4"	6 3/4"
c2	2"	5"	7 3/4"

## CV - STEEL PANEL RADIATORS

Product Code	Height (inch)	Length (inch)	Output (BTU/HR) @ 180°F x 68°F**	Output (BTU/HR) @ 140°F x 68°F**	Weight (lbs)	Water Content (gal)	UPC #
ECS82421CV	8"	24"	1,346	781	14	.40	6418569225392
ECS83621CV		36"	2,022	1,173	22	.60	6418569225422
ECS84821CV		48"	2,698	1,565	29	.80	6418569225453
ECS85621CV		56"	3,147	1,825	34	.90	6418569225460
ECS87121CV		71"	4,046	2,347	43	1.2	6418569225484
ECS89221CV		92"	5,172	3,000	55	1.5	6418569225507
ECS812021CV	12"	120"	6,742	3,910	77	2.0	6418569225521
ECS121622CV		16"	1,705	1,031	15	.37	5907814707499
ECS122422CV		24"	2,562	1,548	22	.53	5907814707512
ECS123222CV		32"	3,414	2,064	29	.71	5907814707536
ECS124022CV		40"	4,266	2,579	37	.90	5907814707550
ECS124822CV		48"	5,119	3,094	44	1.08	5907814707574
ECS125622CV	16"	56"	5,971	3,610	51	1.27	5907814707598
ECS126422CV		64"	6,828	4,128	58	1.43	5907814707604
ECS161622CV		16"	2,167	1,310	20	.48	5907814712769
ECS162422CV		24"	3,254	1,967	30	.71	5907814712783
ECS163222CV		32"	4,337	2,622	40	.95	5907814712806
ECS164022CV		40"	5,421	3,277	49	1.19	5907814712820
ECS164822CV	20"	48"	6,504	3,932	59	1.43	5907814712844
ECS165622CV		56"	7,587	4,586	69	1.66	5907814712868
ECS166422CV		64"	8,675	5,244	78	1.90	5907814712875
ECS167122CV		71"	9,758	5,899	88	2.11	5907814712882
ECS201622CV		16"	2,610	1,578	25	.58	5907814714299
ECS202422CV		24"	3,916	2,367	37	.87	5907814714312
ECS203222CV	24"	32"	5,221	3,156	50	1.14	5907814714336
ECS204022CV		40"	6,526	3,945	62	1.43	5907814714350
ECS204822CV		48"	7,831	4,734	74	1.72	5907814714374
ECS205622CV		56"	9,137	5,523	86	2.01	5907814714398
ECS206422CV		64"	10,442	6,312	98	2.30	5907814714404
ECS241622CV		16"	3,037	1,836	30	.69	5907814707833
ECS242422CV	36"	24"	4,551	2,751	45	1.06	5907814707857
ECS243222CV		32"	6,069	3,669	60	1.40	5907814707871
ECS244022CV		40"	7,587	4,586	74	1.74	5907814707895
ECS244822CV		48"	9,106	5,504	89	2.09	5907814707918
ECS245622CV		56"	10,624	6,422	104	2.43	5907814707932
ECS246422CV		64"	12,138	7,337	118	2.80	5907814707949
ECS247122CV	77"	71"	13,656	8,255	133	3.14	5907814707956
ECS361622CV		16"	4,240	2,563	46	.95	5907814708007
ECS362422CV		24"	6,362	3,846	68	1.43	5907814708021
ECS363222CV		32"	8,480	5,126	90	1.90	5907814708045
ECS364022CV		40"	10,602	6,409	112	2.38	5907814708069
ECS364822CV		48"	12,724	7,691	135	2.85	5907814708083
ECS771221CV	77"	12"	3,903	2,340	61	1.9	5413571189145
ECS771821CV		18"	5,848	3,509	91	2.9	5413571905455
ECS772421CV		24"	7,793	4,674	122	3.9	5413571905509

\*\*outputs based on water supply temperatures @ 20°Δ T x 68°F room temperature  
All CV Radiators: Test Pressure: 191 psi - Max Operating Pressure: 147 psi

Now offering an extensive range of colors. Please contact us for details.



## Standard Features

- Internal thermostatic valve Body
- Contoured side panels and top grille
- Adjustable mounting brackets
- Installed, plugs, and air vent

